

MARS 18 (MC) COMPACT SINGLE-STAGE SERIES

INSTALLATION, OPERATION & MAINTENANCE MANUAL

Part#: 97B0075N31 | Revised: January 13, 2025

Models: MC 006-060

60 Hz – R-454B



Models:
MC
006-060

Table of Contents

3	Model Nomenclature	33	Electrical: Power Wiring
4	Attentions, Cautions, and Warnings	34	Electrical: CXM2 Example Wiring Diagram
6	General Information	35	Electrical: Low Voltage Wiring
9	Minimum Installation Area	38	Electrical: Thermostat Wiring
10	Refrigerant System Servicing	51	Constant Volume CV EC Blower Motor Limits
13	Physical Data	52	Controls: CXM2 and DXM2.5
14	Horizontal Installation	53	Operating and Commissioning Limits
15	Horizontal Installation: Service Access	54	Piping System Cleaning and Flushing
18	Duct System Installation	55	Unit and System Checkout
19	Field Conversion of Air Discharge	56	Unit Startup Procedure
20	Vertical Installation	58	Unit Operating Conditions
22	Vertical Installation: Service Access	65	Preventive Maintenance
23	Piping Installation	66	Functional Troubleshooting
24	Water-Loop Heat Pump Applications	69	Performance Troubleshooting
25	Ground-Loop Heat Pump Application	71	Startup Log Sheet
27	Water Quality Requirements	72	Functional Troubleshooting Form
31	Electrical Data	76	Revision History

Model Nomenclature

1 | 2 | 3 | 4 | 5 | 6 | 7 | 8 | 9 | 10 | 11 | 12 | 13 | 14 | 15
M | **C** | **L** | **0** | **2** | **4** | **A** | **G** | **C** | **3** | **0** | **C** | **0** | **P** | **S**

MODEL

M = R-454B Refrigerant

MODEL TYPE

C = Compact Single-Stage Series

SUPPLY & RETURN CONFIGURATIONS

Horizontal Configuration		
	Left	Right
Straight	L	R
Back	B	P
Vertical Configuration		
	Left	Right
Top	T	K
Front/Top	F	

SIZE

006	018	041
009	024	042
012	030	048
015	036	060

REVISION

A = Current

VOLTAGE

G = 208/230-1-60 J = 208/230-1-60 Refrigerant Detection System
 H = 208/230-3-60 K = 208/230-3-60 Refrigerant Detection System
 E = 265-1-60 D = 265-1-60 Refrigerant Detection System
 F = 460-3-60 L = 460-3-60 Refrigerant Detection System
 N = 575-3-60 M = 575-3-60 Refrigerant Detection System

CONTROLS

Control	Standard	MPC
CXM2	C	N
DXM2.5	D	P
CXM2 with Disconnect	W	R
DXM2.5 with Disconnect	B	S

CABINET

Cabinet	Sound Attenuation Package	Rail		Frame	
		1"	2"	1"	2"
Extended Range	No	1	J	K	A
	Yes	2	L	M	C
Standard Range	No	3	N	P	E
	Yes	4	F	S	G

STANDARD

S = MARS

BLOWER MOTOR

P = Permanent Split Capacitor (PSC)
 T = Constant Torque Electronically Commuted (CT EC)
 V = Constant Volume Electronically Commuted (CV EC)

EXTENDED OPTIONS

O = Standard
 C = Cooling Only

DRAIN PAN/HEAT EXCHANGER OPTIONS

C = Standard Drain Pan, Non-Coated Air Coil
 T = Standard Drain Pan, Tin-Coated Air Coil
 S = Stainless Steel Drain Pan, Non-Coated Air Coil
 R = Stainless Steel Drain Pan, Tin-Coated Air Coil

WATER/HEAT EXCHANGER OPTIONS

Water Option	Standard	Cupro Nickel
None	0	Z

Models:
MC
006-060

Attentions, Cautions, and Warnings

SAFETY

Warnings, cautions, and notices appear throughout this manual. Read these items carefully before attempting any installation, service, or troubleshooting of the equipment.


DANGER: Indicates an immediate hazardous situation, which if not avoided will result in death or serious injury. DANGER labels on unit access panels must be observed.

WARNING: Indicates a potentially hazardous situation, which if not avoided could result in death or serious injury.

CAUTION: Indicates a potentially hazardous situation or an unsafe practice, which if not avoided could result in minor or moderate injury or product or property damage.

NOTICE: Notification of installation, operation, or maintenance information, which is important, but which is not hazard-related.

WARNING



Disconnect power supply(ies) before servicing. Refer servicing to qualified service personnel. Electric shock hazard. May result in injury or death!

WARNING

To avoid the release of refrigerant into the atmosphere, the refrigerant circuit of this unit must be serviced only by technicians who meet local, state, and federal proficiency requirements.

WARNING

The installation of water-source heat pumps and all associated components, parts, and accessories which make up the installation shall be in accordance with the regulations of ALL authorities having jurisdiction and MUST conform to all applicable codes. It is the responsibility of the installing contractor to determine and comply with ALL applicable codes and regulations.

WARNING

The appliance shall be stored in a room without continuously operating ignition sources (for example: open flames, an operating gas appliance or an operating electric heater).

WARNING

If unit connected via an air duct system to one or more rooms with R-454B is installed in a room with an area less than A_{min} or has an Effective Dispersal Volume less than minimum, that room shall be without continuously operating open flames or other POTENTIAL IGNITION SOURCES. A flame-producing device may be installed in the same space if the device is provided with an effective flame arrest.

WARNING

All refrigerant discharged from this unit must be recovered WITHOUT EXCEPTION. Technicians must follow industry accepted guidelines and all local, state, and federal statutes for the recovery and disposal of refrigerants. If a compressor is removed from this unit, refrigerant circuit oil will remain in the compressor. To avoid leakage of compressor oil, refrigerant lines of the compressor must be sealed after it is removed.

WARNING

This appliance is not intended for use by persons (including children) with reduced physical, sensory, or mental capabilities, or lack of experience and knowledge, unless they have been given supervision or instruction concerning use of the appliance by a person responsible for their safety.

WARNING

An unventilated area where the appliance using FLAMMABLE REFRIGERANTS is installed shall be so constructed that should any refrigerant leak, it will not stagnate so as to create a fire or explosion hazard.

WARNING

Auxiliary devices which may be a POTENTIAL IGNITION SOURCE shall not be installed in the duct work. Examples of such POTENTIAL IGNITION SOURCES are hot surfaces with a temperature exceeding 1,292°F (700°C)

WARNING

An unventilated area where a water source heat pump is installed and surpasses a R-454B refrigerant charge of 62 oz (1.76 kg), shall be without continuously operating open flames (for example an operating gas appliance) or other POTENTIAL IGNITION SOURCES (for example, an operating electric heater, hot surfaces).

WARNING

Only auxiliary electric heaters approved by ClimateMaster shall be installed in connecting ductwork. The installation of any other auxiliary devices is beyond ClimateMaster's responsibility.

WARNING

For mechanical ventilation, the lower edge of the air extraction opening where air is exhausted from the room shall not be more than 3.94 inches (100 mm) above the floor. The location where the mechanical ventilation air extracted from the space is discharged shall be separated by a sufficient distance, but not less than 9.84 feet (3 m), from mechanical ventilation air intake openings, to prevent recirculation to the space.

WARNING

Children being supervised are NOT to play with the appliance.

WARNING

Do not pierce or burn.

WARNING

Be aware that refrigerants may not contain odor.

Attentions, Cautions, and Warnings

CAUTION

DO NOT store or install units in corrosive environments or in locations subject to temperature or humidity extremes (e.g., attics, garages, rooftops, etc.). Corrosive conditions and high temperature or humidity can significantly reduce performance, reliability, and service life. Always move and store units in an upright position. Tilting units on their sides will cause equipment damage.

CAUTION

CUT HAZARD - Failure to follow this caution may result in personal injury. Sheet metal parts may have sharp edges or burrs. Use care and wear appropriate protective clothing, safety glasses and gloves when handling parts and servicing heat pumps.

CAUTION

To avoid equipment damage, DO NOT use these units as a source of heating or cooling during the construction process. The mechanical components and filters can quickly become clogged with construction dirt and debris, which may cause system damage and void product warranty.

CAUTION

All three phase scroll compressors must have direction of rotation verified at startup. Verification is achieved by checking compressor Amp draw. Amp draw will be substantially lower compared to nameplate values. Additionally, reverse rotation results in an elevated sound level compared to correct rotation. Reverse rotation will result in compressor internal overload trip within several minutes. Verify compressor type before proceeding.

NOTICE

Servicing shall be performed only as recommended by the manufacturer.

NOTICE

REFRIGERANT SENSORS for REFRIGERANT DETECTION SYSTEMS shall only be replaced with sensors specified by the appliance manufacturer.

NOTICE

An unconditioned attic is not considered natural ventilation.

NOTICE

This unit is equipped with electrically powered safety measures. To be effective, the unit must be electrically powered at all times after installation, other than when servicing.

NOTICE

For Installation Only in Locations Not Accessible to the General Public.

NOTICE

LEAK DETECTION SYSTEM installed. Unit must be powered except for service.

General Information

INSPECTION

Upon receipt of the equipment, carefully check the shipment against the bill of lading. Make sure all units have been received. Inspect the packaging of each unit, and inspect each unit for damage. Ensure that the carrier makes proper notation of any shortages or damage on all copies of the freight bill and completes a common carrier inspection report. Concealed damage not discovered during unloading must be reported to the carrier within 15 days of receipt of shipment. If not filed within 15 days, the freight company can deny the claim without recourse.

NOTE: It is the responsibility of the purchaser to file all necessary claims with the carrier. Notify your equipment supplier of all damage within 15 days of shipment.

STORAGE

Equipment should be stored in its original packaging in a clean, dry area. Store units in an upright position at all times. You may stack vertical configurations a maximum of two units high and horizontal configurations a maximum of three units high.

UNIT PROTECTION

Cover units on the job site with either the original packaging or an equivalent protective covering. Cap the open ends of pipes stored on the job site. In areas where painting, plastering, and/or spraying has not been completed, all due precautions must be taken to avoid physical damage to the units and contamination by foreign material. Physical damage and contamination may prevent proper startup and may result in costly equipment cleanup.

Examine all pipes, fittings, and valves before installing any of the system components. Remove any dirt or debris found in or on these components.

PRE-INSTALLATION

Installation, Operation, and Maintenance instructions are provided with each unit. Horizontal equipment is designed for installation above false ceiling or in a ceiling plenum. Other unit configurations are typically installed in a mechanical room. The installation site chosen should include adequate service clearance around the unit. Before unit startup, read all manuals and become familiar with the unit and its operation. Thoroughly check the system before operation.

PREPARE UNITS FOR INSTALLATION AS FOLLOWS:

1. Compare the electrical data on the unit nameplate with ordering and shipping information to verify that the correct unit has been shipped.
2. Keep the cabinet covered with the original packaging until installation is complete and all plastering, painting, etc. is finished.
3. Verify refrigerant tubing is free of kinks or dents and that it does not touch other unit components.
4. Inspect all electrical connections. Connections must be clean and tight at the terminals.
5. Remove any blower support packaging (water-to-air units only).
6. Some airflow patterns are field convertible (horizontal units only). Locate the airflow conversion section of this IOM.
7. Locate and verify any hot water generator (HWG), hanger, or other accessory kit located in the compressor section or blower section.

CHECKS TO THE AREA

Prior to beginning work on systems containing FLAMMABLE REFRIGERANTS, safety checks are necessary to ensure that the risk of ignition is minimized. For repair to the REFRIGERATING SYSTEM, these steps shall be completed prior to conducting work on the system.

General Information

Work Procedure

Work shall be undertaken under a controlled procedure so as to minimise the risk of a flammable gas or vapor being present while the work is being performed.

General Work Area

All maintenance staff and others working in the local area shall be instructed on the nature of work being carried out. Work in confined spaces shall be avoided.

Checking for presence of refrigerant

The area shall be checked with an appropriate refrigerant detector prior to and during work, to ensure the technician is aware of potentially toxic or flammable atmospheres. Ensure that the leak detection equipment being used is suitable for use with all applicable refrigerants, i.e. non-sparking, adequately sealed or intrinsically safe.

Presence of fire Extinguisher

If any hot work is to be conducted on the refrigeration equipment or any associated parts, appropriate fire extinguishing equipment shall be available to hand. Have a dry powder or CO₂ fire extinguisher adjacent to the charging area.

No ignition sources

No person carrying out work in relation to a REFRIGERATION SYSTEM which involves exposing any pipe work shall use any sources of ignition in such a manner that it may lead to the risk of fire or explosion. All possible ignition sources, including cigarette smoking, should be kept sufficiently far away from the site of installation, repairing, removing and disposal, during which refrigerant can possibly be released to the surrounding space. Prior to work taking place, the area around the equipment is to be surveyed to make sure that there are no flammable hazards or ignition risks. "No Smoking" signs shall be displayed.

Ventilated area

Ensure that the area is in the open or that it is adequately ventilated before breaking into the system or conducting any hot work. A degree of ventilation shall continue during the period that the work is carried out. The ventilation should safely disperse any released refrigerant and preferably expel it externally into the atmosphere.

Checks to the Refrigeration Equipment

The following checks shall be applied to installations using FLAMMABLE REFRIGERANTS:

- The actual REFRIGERANT CHARGE is in accordance with the room size within which the refrigerant containing parts are installed;
- The ventilation machinery and outlets are operating adequately and are not obstructed;
- If an indirect refrigerating circuit is being used, the secondary circuit shall be checked for the presence of refrigerant;
- Marking to the equipment continues to be visible and legible. Markings and signs that are illegible shall be corrected;
- Refrigerant piping or components are installed in a position where they are unlikely to be exposed to any substance which may corrode refrigerant containing components, unless the components are constructed of materials which are inherently resistant to being corroded or are suitably protected against being so corroded.

Checks to Electrical Devices

Repair and maintenance to electrical components shall include initial safety checks and component inspection procedures. If a fault exists that could compromise safety, then no electrical supply shall be connected to the circuit until it is satisfactorily dealt with. If the fault cannot be corrected immediately but it is necessary to continue operation, an adequate temporary solution shall be used. This shall be reported to the owner of the equipment so all parties are advised.

Initial safety checks shall include:

- Capacitors are discharged: this shall be done in a safe manner to avoid possibility of sparking;
- That no live electrical components and wiring are exposed while charging, recovering, or purging the system;
- That there is continuity of earth bonding.

Models:
MC
006-060

General Information

REPAIR TO INTRINSICALLY SAFE COMPONENTS

Intrinsically safe components must be replaced.

CABLING

Check that cabling will not be subject to wear, corrosion, excessive pressure, vibration, sharp edges or any other adverse environmental effects. The check shall also take into account the effects of aging or continual vibration from sources such as compressors or fans.

REQUIRED AREA FOR INSTALLATION

The minimum room area of the space (A_{min}) or a minimum room area of conditioned space (TA_{min}) shall be corrected for unit's location altitude by multiplying A_{min} or TA_{min} by the applicable altitude adjustment factor (AF) for building ground-level altitude (H_{alt}) in feet or meters, as shown in Table 1.

NOTE:

- You can use Imperial or Metric measurements to calculate A_{min} or TA_{min} .
- The maximum allowable altitude of installation for this product is 6,561 ft (2,000 m).

Table 1:Altitude Adjustment

H _{alt} ft (m)	AF
0 (0)	1.00
656 (200)	1.00
1,312 (400)	1.00
1,968 (600)	1.00
2,624 (800)	1.02
3,280 (1,000)	1.05
3,937 (1,200)	1.07
4,593 (1,400)	1.10
5,249 (1,600)	1.12
5,905 (1,800)	1.15
6,561 (2,000)	1.18

Minimum Installation Area

MINIMUM INSTALLATION AREA

Minimum area where a blower-equipped unit must be installed, and mechanical/natural ventilation is not required

Model	Charge (oz)	Configuration	Minimum Installation Area ft ² (m ²) [A _{min}]			
			Floor	Window	Wall	Ceiling
MC060	69	Vertical	237 (22.0)	132 (12.2)	76 (7.0)	63 (5.9)
		Horizontal	237 (22.0)	141 (13.1)	79 (7.3)	65 (3.0)

A_{min} = Minimum area where unit is installed where unit has incorporated airflow

h_{inst} (floor) = 0.0 ft (0.0 m)

h_{inst} (window) = 3.3 ft (1.0 m)

h_{inst} (wall) = 5.9 ft (1.8 m)

h_{inst} (ceiling) = 7.2 ft (2.2 m)

Minimum area and CFM requirements for the conditioned space

Model	Charge (oz)	Minimum CFM [Q _{min}]	
		TA _{min} (ft ²)	Q _{min} (ft ³ /min)
MC060	69	3.54	117

TA_{min} = Minimum conditioned area for venting leaked refrigerant

Q_{min} = Minimum ventilation flow rate for conditioned space if space is less than TA_{min}

Minimum area of opening for natural ventilation

Model	Charge (oz)	Anv _{min} in ² (m ²)
MC060	69	111.57 (0.07)

Anv_{min} = Minimum natural ventilation area opening

When the openings for connected rooms or natural ventilation are required, the following conditions shall be applied:

- The area of any openings above 11.8 inches (300 mm) from the floor shall not be considered in determining compliance with Anv_{min}.
- At least 50% of the required opening area Anv_{min} shall be below 7.8 inches (200 mm) from the floor.
- The bottom of the lowest openings shall not be higher than the point of release when the unit is installed and not more than 3.9 inches (100 mm) from the floor.
- Openings are permanent openings which cannot be closed.
- For openings extending to the floor, the height shall not be less than 0.78 inch (20 mm) above the surface of the floor covering.
- A second higher opening shall be provided. The total size of the second opening shall not be less than 50% of minimum opening area for Anv_{min} and shall be at least 3.3 ft (1.5 m) above the floor.

Refrigerant System Servicing

REFRIGERANT SYSTEM

To maintain sealed circuit integrity, do not install service gauges unless unit operation appears abnormal. Reference the operating charts for pressures and temperatures. Verify that air and water flow rates are at proper levels before servicing the refrigerant circuit.

Removal and Evacuation

When breaking into the refrigerant circuit to make repairs - or for any other purpose - conventional procedures shall be used. However, for flammable refrigerants it is important that best practice be followed, since flammability is a consideration. The following procedure shall be adhered to:

- Safely remove refrigerant following local and national regulations
- Evacuate
- Purge the circuit with Inert gas
- Evacuate
- Continuously flush or purge with Inert gas when using flame to open circuit
- Open the circuit.

The refrigerant charge shall be recovered into the correct recovery cylinders. For appliances containing flammable refrigerants, the system shall be purged with oxygen-free nitrogen to render the appliance safe. This process might need to be repeated several times. Compressed air or oxygen shall not be used for purging refrigerant systems.

For appliances containing flammable refrigerants, refrigerant purging shall be achieved by breaking the vacuum in the system with oxygen-free nitrogen and continuing to fill until the working pressure is achieved, then venting to atmosphere, and finally pulling down to a vacuum (optional for FLAMMABLE REFRIGERANT). This process shall be repeated until no refrigerant remains in the system (optional for FLAMMABLE REFRIGERANT). When the final oxygen-free nitrogen charge is used, the system shall be vented down to atmospheric pressure to enable work to take place.

The outlet for the vacuum pump shall not be close to any potential ignition sources, and ventilation shall be available.

Charging Procedures

In addition to conventional charging procedures, the following requirements shall be followed:

- Ensure that contamination of different refrigerants does not occur when using charging equipment.
- Hoses or lines shall be as short as possible to minimize the amount of refrigerant contained in them.
- Cylinders shall be kept in an appropriate position according to the instructions.
- Ensure that the REFRIGERATION SYSTEM is earthed prior to charging the system with refrigerant.
- Label the system when charging is complete (if not already).
- Extreme care shall be taken not to overfill the REFRIGERATION SYSTEM.

Prior to recharging the system, it shall be pressure-tested with the appropriate purging gas. The system shall be leak-tested on completion of charging but prior to commissioning. A follow up leak test shall be carried out prior to leaving the site.

Leak Detection

Under no circumstances shall potential sources of ignition be used in the searching for or detection of refrigerant leaks. A halide torch (or any other detector using a naked flame) shall not be used.

The following leak detection methods are deemed acceptable for all refrigerant systems.

Electronic leak detectors may be used to detect refrigerant leaks but, in the case of FLAMMABLE REFRIGERANTS, the sensitivity may not be adequate, or may need re-calibration. (Detection equipment shall be calibrated in a refrigerant-free area.)

Refrigerant System Servicing

Ensure that the detector is not a potential source of ignition and is suitable for the refrigerant used. Leak detection equipment shall be set at a percentage of the lower flammability limit of the refrigerant and shall be calibrated to the refrigerant employed, and the appropriate percentage of gas (25% maximum) is confirmed.

Leak detection fluids are also suitable for use with most refrigerants but the use of detergents containing chlorine shall be avoided as the chlorine may react with the refrigerant and corrode the copper pipe-work.

NOTE:

Examples of leak detection fluids are:

- Bubble method
- Fluorescent method agents

If a leak is suspected, all naked flames shall be removed/extinguished.

If a refrigerant leak that requires brazing is identified, all of the refrigerant shall be recovered from the system, or isolated (by means of shut off valves) in a part of the system remote from the leak. Removal of refrigerant shall be according to Removal and Evacuation section.

DECOMMISSIONING

Before carrying out this procedure, it is essential that the technician is completely familiar with the equipment and all its detail. It is recommended good practice that all refrigerants are recovered safely. Prior to the task being carried out, an oil and refrigerant sample shall be taken in case analysis is required prior to re-use of recovered refrigerant. It is essential that electrical power is available before the task is commenced.

1. Become familiar with the equipment and its operation.
2. Isolate system electrically.

3. Before attempting the procedure, ensure that:
 - Mechanical handling equipment is available, if required, for handling refrigerant cylinders.
 - All personal protective equipment is available and being used correctly.
 - The recovery process is supervised at all times by a competent person.
 - Recovery equipment and cylinders conform to the appropriate standards.
4. Pump down refrigerant system, if possible.
5. If a vacuum is not possible, make a manifold so that refrigerant can be removed from various parts of the system.
6. Make sure that cylinder is situated on the scales before recovery takes place.
7. Start the recovery machine and operate in accordance with instructions.
8. Do not overfill cylinders (no more than 80 % volume liquid charge).
9. Do not exceed the maximum working pressure of the cylinder, even temporarily.
10. When the cylinders have been filled correctly and the process completed, make sure that the cylinders and the equipment are removed from site promptly and all isolation valves on the equipment are closed off.
11. Recovered refrigerant shall not be charged into another REFRIGERATING SYSTEM unless it has been cleaned and checked.

Labeling - Upon decommissioning, equipment shall be labeled stating that it has been decommissioned and emptied of refrigerant. The label shall be dated and signed.

Refrigerant System Servicing

RECOVERY

When removing refrigerant from a system, either for servicing or decommissioning, it is recommended good practice that all refrigerants are removed safely.

When transferring refrigerant into cylinders, ensure that only appropriate refrigerant recovery cylinders are employed. Ensure that the correct number of cylinders for holding the total system charge is available. All cylinders to be used are designated for the recovered refrigerant and labeled for that refrigerant (i.e. special cylinders for the recovery of refrigerant). Cylinders shall be complete with pressure-relief valve and associated shut-off valves in good working order. Empty recovery cylinders are evacuated and, if possible, cooled before recovery occurs.

The recovery equipment shall be in good working order with a set of instructions concerning the equipment that is at hand and shall be suitable for the recovery of the flammable refrigerant. If in doubt, the manufacturer should be consulted.

In addition, a set of calibrated weighing scales shall be available and in good working order. Hoses shall be complete with leak-free disconnect couplings and in good condition.

The recovered refrigerant shall be processed according to local legislation in the correct recovery cylinder, and the relevant waste transfer note arranged. Do not mix refrigerants in recovery units and especially not in cylinders.

If compressors or compressor oils are to be removed, ensure that they have been evacuated to an acceptable level to make certain that flammable refrigerant does not remain within the lubricant. The compressor body shall not be heated by an open flame or other ignition sources to accelerate this process. When oil is drained from a system, it shall be carried out safely.

Physical Data

Models:
MC
006-060

MARS (MC) Series

Unit Size	006	009	012	015	018	024	030	036	041	042	048	060
Number of refrigerant circuits	1	1	1	1	1	1	1	1	1	1	1	1
Factory Charge R-454B (oz)	17	18	21	29	37	40	39	46	53	56	56	69
Refrigerant Leak Detection System	O	O	O	O	O	O	O	O	O	O	O	R
Number of Sensors	2	2	2	2	2	2	2	2	2	2	2	2
Water Connection Size												
FPT	1/2"	1/2"	1/2"	1/2"	1/2"	3/4"	3/4"	3/4"	3/4"	3/4"	1"	1"
Coax Volume (gallons)	0.143	0.143	0.167	0.286	0.45	0.323	0.323	0.738	0.89	0.89	0.89	0.939
Vertical												
Filter Standard - 1" Throwaway	10x18	10x18	10x18	20x20	20x20	20x20	20x20	24x24	20x20	24x24	28x28	28x28
Weight - Operating (lbs.)	103	105	114	153	158	189	197	203	210	218	315	330
Weight - Packaged (lbs.)	113	115	124	158	163	194	202	209	217	224	322	337
Horizontal												
Filter Standard - 1" Throwaway	10x18	10x18	10x18	16x25	16x25	18x24	18x24	2-14x20		2-14x20	1-20x24 1-14x20	1-20x24 1-14x20
Weight - Operating (lbs.)	103	105	114	153	158	174	182	203		218	263	278
Weight - Packaged (lbs.)	113	115	124	158	163	179	187	209		224	270	285

Notes:

All dimensions displayed above are in inches unless otherwise marked.
 All units have a TXV and 1/2-inch and 3/4-inch electrical knockouts.
 The standard Condensate Drain Connection is a rubber coupling that couples to 3/4-inch schedule 40/80 PVC.
 The optional Stainless Steel Condensate Drain Connection is 3/4-inch FPT.
 FPT = Female Pipe Thread
 575V fan motors are two speed.
 O = Optional, R = Required

Horizontal Installation

HORIZONTAL UNIT LOCATION

Units are not designed for outdoor installation. Locate the unit in an INDOOR area that allows enough space for service personnel to perform typical maintenance or repairs without removing unit from the ceiling. Horizontal units are typically installed above a false ceiling or in a ceiling plenum. Never install units in areas subject to freezing or where humidity levels could cause cabinet condensation (such as unconditioned spaces subject to 100% outside air). Consideration should be given to access for easy removal of the filter and access panels. Provide sufficient room to make water, electrical, and duct connection(s).

If the unit is located in a confined space, such as a closet, provisions must be made for return air to freely enter the space by means of a louvered door, etc. Any access panel screws that would be difficult to remove after the unit is installed should be removed prior to setting the unit. Refer to Figure 3 for an illustration of a typical installation. Refer to unit submittal data or engineering design guide for dimensional data.

Conform to the following guidelines when selecting unit location:

1. Provide a hinged access door in concealed-spline or plaster ceilings. Provide removable ceiling tiles in T-bar or lay-in ceilings. Refer to horizontal unit dimensions for specific series and model in unit submittal data. Size the access opening to accommodate the service technician during the removal or replacement of the compressor, control, or blower assembly.
2. Provide access to hanger brackets, water valves and fittings. Provide screwdriver clearance to access panels, discharge collars and all electrical connections.
3. DO NOT obstruct the space beneath the unit with piping, electrical cables and other items that prohibit future removal of components or the unit itself.
4. Use a manual portable jack/lift to lift and support the weight of the unit during installation and servicing.

The installation of water source heat pump units and all associated components, parts and accessories which make up the installation shall be in accordance with the regulations of ALL authorities having jurisdiction and MUST conform to all applicable codes. It is the responsibility of the installing contractor to determine and comply with ALL applicable codes and regulations.

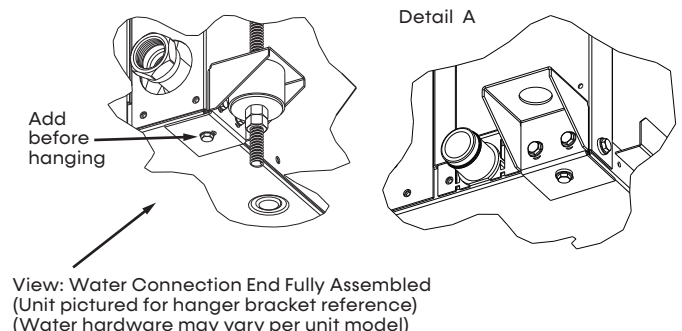
NOTE: Minimum clearances for installation are the same as the minimum required service clearances. Consult the service clearances or reference of installation clearances for more information.

MOUNTING HORIZONTAL UNITS

Horizontal units have four hanger brackets partially attached at the factory, one at each corner. Enclosed within the unit there is a hanger kit hardware bag containing vibration isolation grommets, washers, screws and a hanger installation instruction page. One additional screw from the hardware bag must be added to each hanger bracket before unit installation. Tighten each screw to 75 in-lbs (8.5 Nm). See Figure 1 for more information. Refer to the hanger installation instruction page contained in the hardware bag for details of final hanger bracket attachment and unit suspension.

Use four field-supplied threaded rods and factory provided vibration isolators to suspend the unit. Safely lift the unit into position supporting the bottom of the unit. Ensure the top of the unit is not in contact with any external objects. Connect the top end of the four all-thread rods, slide rods through the brackets and grommet then assemble washers and double nuts at each rod. Ensure that the unit is approximately level and that the threaded rod extends past the nuts.

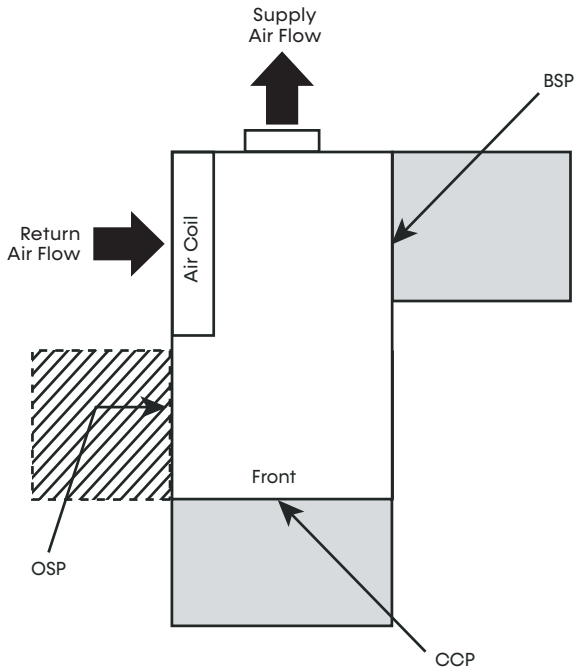
Figure 1: Hanger Bracket



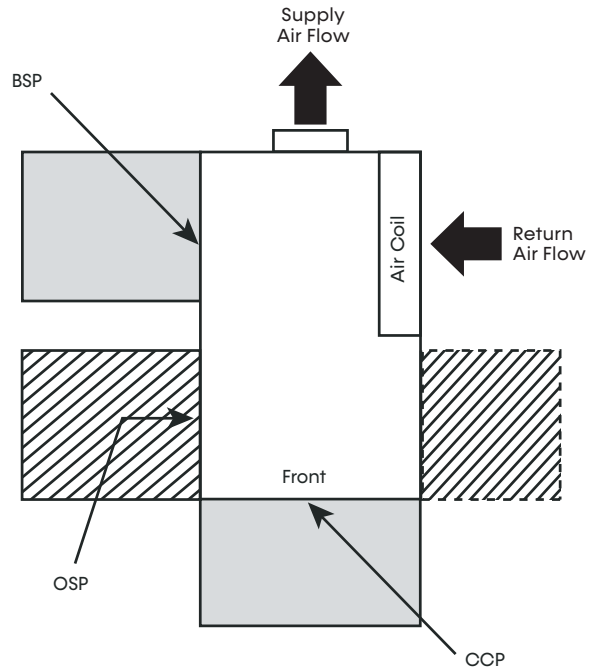
Horizontal Installation: Service Access

Models:
MC
006-060

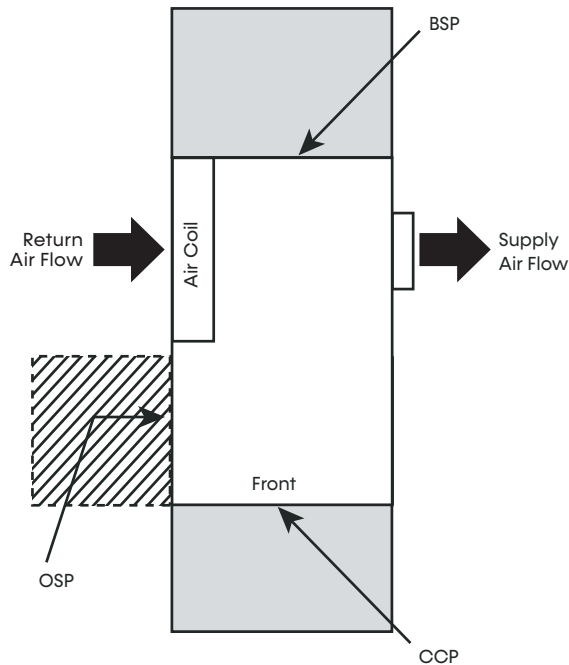
Left Return Back Discharge



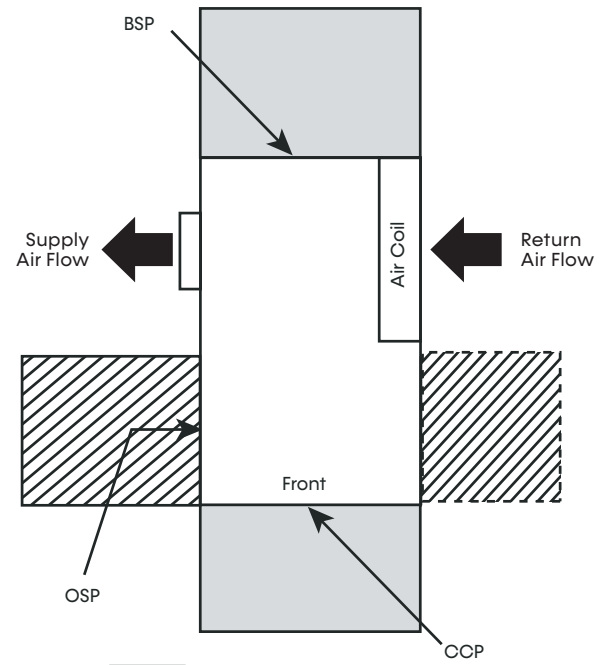
Right Return Back Discharge



Left Return Straight Discharge



Right Return Straight Discharge



= Mandatory Service Access 2-foot (61 cm)

= Optional Service Access 2-foot (61 cm)

Notes:

1. While clear access to all removable panels is not required, installer should take care to comply with all building codes and allow adequate clearance for future field service.
2. CCP and BSP requires 2 feet of service access.
3. Blower service access is through back panel on straight discharge units or through panel opposite air coil on back discharge units.
4. OSP are removable panels that provide additional access to the units interior. Clear access to OSP panels is not required and they are not to be used in place of the mandatory CCP and BSP panels.

Legend:

- CCP = Control/Compressor Access
- BSP = Blower Service Panel
- OSP = Optional Service Panel (not required)

Models:
MC
006-060

Horizontal Installation

Figure 2: Horizontal Unit Pitch

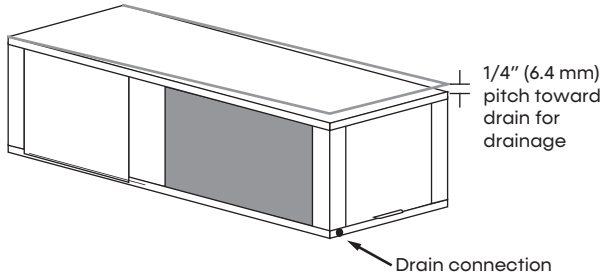
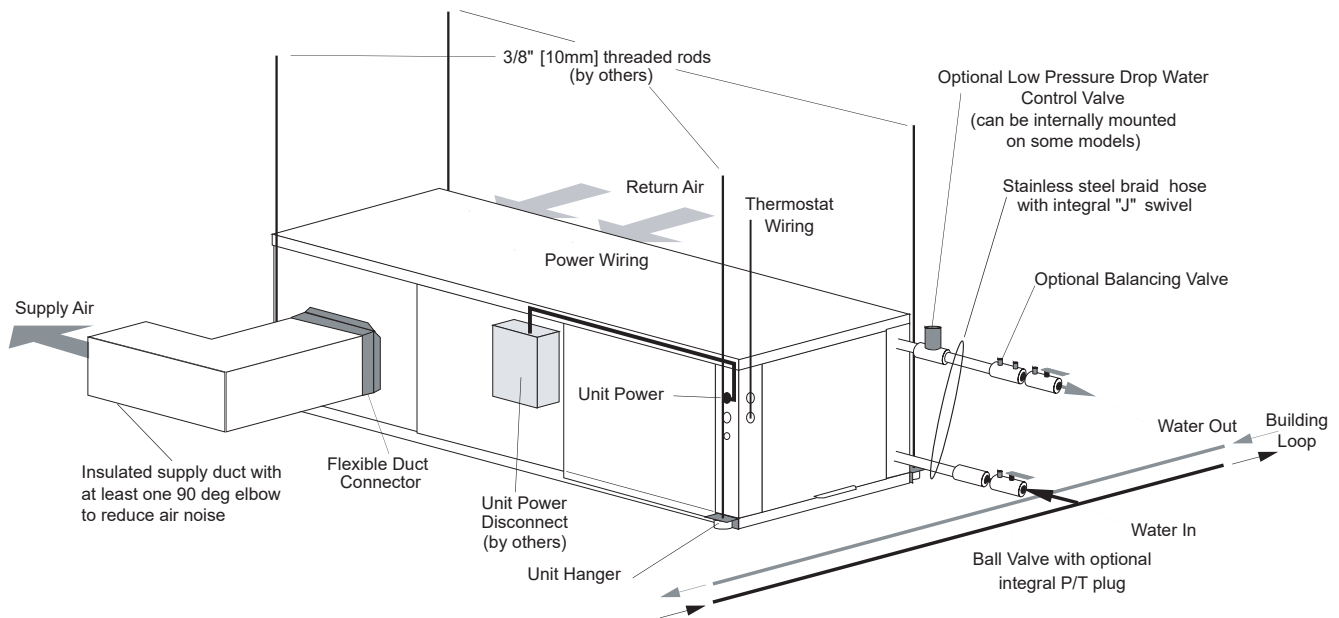


Figure 3: Typical Unit Installation



AIR COIL

To obtain maximum performance, the air coil should be cleaned before startup. A 10% solution of dishwasher detergent and water is recommended for both sides of the coil. A thorough water rinse should follow. **Do not use Ultraviolet-based anti-bacterial systems.**

NOTICE

Installation Note - Ducted Return: Many horizontal WSHPs are installed in a return air ceiling plenum application (above ceiling). Vertical WSHPs are commonly installed in a mechanical room with free return (e.g. louvered door). Filter rails are the industry standard and are included on commercial heat pumps only for holding the filter. For ducted return applications, the filter rail must be removed and replaced with a duct flange or filter frame. Canvas or flexible connectors should also be used to minimize vibration between the unit and ductwork.

Horizontal Installation

CONDENSATE PIPING

A condensate drain line must be installed and pitched away for the unit to allow for proper drainage. This connection must meet all local plumbing/building codes.

Pitch the unit toward the drain as shown in Figure 2 to improve the condensate drainage. On small units (less than 2.5 tons/8.8 kW), ensure that unit pitch does not cause condensate leaks inside the cabinet.

Install condensate trap at each unit with the top of the trap positioned below the unit condensate drain connection as shown in Figure 4. Design the depth of the trap (water-seal) based upon the amount of ESP capability of the blower (where 2-inches [51 mm] of ESP capability requires 2-inches [51 mm] of trap depth). As a general rule, 1½ inch [38 mm] trap depth is the minimum.

Each unit must be installed with its own individual trap and connection to the condensate line (main) or riser. Provide a means to flush or blow out the condensate line. DO NOT install units with a common trap and/or vent.

Always vent the condensate line when dirt or air can collect in the line or a long horizontal drain line is required. Also vent when large units are working against higher external static pressure than other units connected to the same condensate main since this may cause poor drainage for all units on the line. **WHEN A VENT IS INSTALLED IN THE DRAIN LINE, IT MUST BE LOCATED AFTER THE TRAP IN THE DIRECTION OF THE CONDENSATE FLOW.**

POLYMER DRAIN PANS

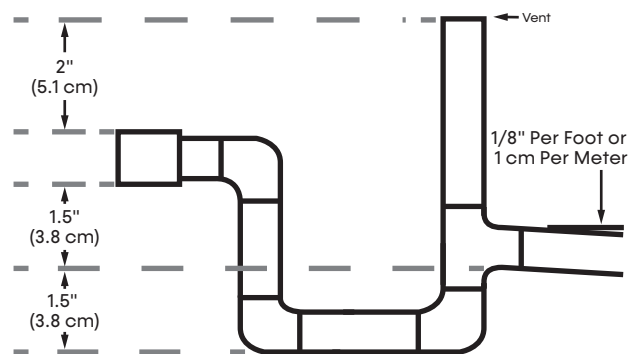
Condensate drain connection is a rubber coupling that connects to ¾-inch schedule 40/80 PVC. Use hose clamps to secure the pipe inside the coupling. If the connection is not secure, the connection may leak.

Instructions for coupling the condensate drain to the trap are included in the bag that includes the coupling and hose clamps.

STAINLESS STEEL DRAIN PANS

The condensate connection is female pipe thread. Field-provided male adapter required for condensate drain connection.

Figure 4: Horizontal Condensate Connection



CAUTION

Ensure condensate line is pitched toward drain 1/8 inch per foot (11 mm per m) of run.

Duct System Installation

DUCT SYSTEM INSTALLATION

Proper duct sizing and design is critical to the performance of the unit. The duct system should be designed to allow adequate and even airflow through the unit during operation. Air flow through the unit **MUST** be at or above the minimum rated airflow for a given unit size to avoid equipment damage. Duct systems should be designed for quiet operation. Refer to Figure 3 for horizontal duct system details or Figure 8 for vertical duct system details. A flexible connector is recommended for both discharge and return air duct connections on metal duct systems to eliminate the transfer of vibration to the duct system. To maximize sound attenuation of the unit blower, the supply and return plenums should include internal fiberglass duct liner or be constructed from ductboard for the first few feet. Application of the unit to uninsulated ductwork in an unconditioned space is not recommended, as the unit's performance may be adversely affected.

At least one 90 degree elbow should be included in the supply duct to reduce air noise. If air noise or excessive air flow is a problem, the blower speed can be changed. For airflow charts, consult submittal data for the series and model of the specific unit.

If the unit is connected to existing ductwork, a previous check should have been made to ensure that the ductwork has the capacity to handle the airflow required for the unit. If ducting is too small, as in the replacement of a heating only system, larger ductwork should be installed. All existing ductwork should be checked for leaks and repaired as necessary.

An unventilated area where water source heat pump is installed and surpasses a R-454B refrigerant charge of 62 oz (1.76 kg), shall be without continuously operating open flames (for example an operating gas appliance) or other **POTENTIAL IGNITION SOURCES** (for example an operating electric heater, hot surfaces).

Only auxiliary electric heaters approved by MARS shall be installed in connecting ductwork. The installation of any other auxiliary devices is beyond MARS' responsibility.

For duct-connected units, false ceilings or drop ceilings may be used as a return air plenum as long as the MARS RDS is installed as shown in Figure 20.

WARNING

Ducts connected to an appliance shall not contain a **POTENTIAL IGNITION SOURCE**.

WARNING

Keep any required ventilation openings clear of obstruction.

WARNING

For mechanical ventilation, the lower edge of the air extraction opening where air is exhausted from the room shall not be more than 3.94 inches (100 mm) above the floor. The location where the mechanical ventilation air extracted from the space is discharged shall be separated by a sufficient distance, but not less than 9.84 feet (3 m), from mechanical ventilation air intake openings, to prevent recirculation to the space.

Field Conversion of Air Discharge

OVERVIEW

Horizontal unit blower assembly can be field converted between side (straight) and back (end) discharge using the instructions below.

NOTE: It is not possible to field convert return air between left or right return models due to the necessity of refrigeration copper piping changes.

PREPARATION

It is best to field convert the unit discharge configuration on the ground before hanging. If the unit is already hung it should be taken down for the field conversion.

SIDE-TO-BACK DISCHARGE CONVERSION

1. Place unit in well lit area. Remove the screws as shown in Figure 5 to free top panel and discharge panel.
2. Lift out the access panel and set aside. Lift and rotate the discharge panel to the other position as shown, being careful with the blower wiring.
3. Check blower wire routing and connections for tension or contact with sheet metal edges. Re-route if necessary.
4. Check refrigerant tubing for contact with other components.
5. Reinstall top panel and screws noting that the location for some screws will have changed.
6. Manually spin the fan wheel to ensure that the wheel is not rubbing or obstructed.
7. Replace access panels.

BACK-TO-SIDE DISCHARGE CONVERSION

If the discharge is changed from back to side, use above instruction noting that illustrations are reversed.

LEFT VERSUS RIGHT RETURN

It is not possible to field convert return air between left or right return models due to the necessity of refrigeration copper piping changes. However, the conversion process of side-to-back or back-to-side discharge for either right or left return configuration is the same. In some cases, it may be possible to rotate the entire unit 180 degrees if the return air connection needs to be on the opposite side. **NOTE: rotating the unit moves the piping to the other end of the unit.**

Figure 5: Left Return – Side-to-Back

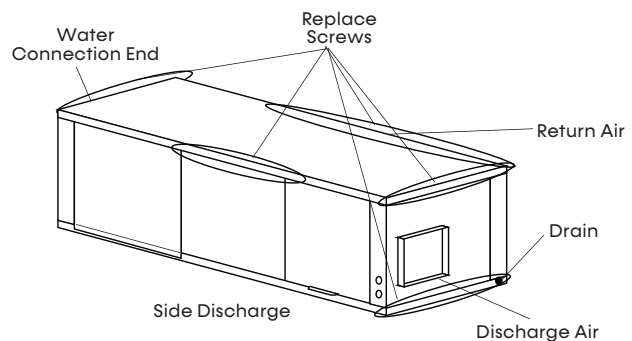
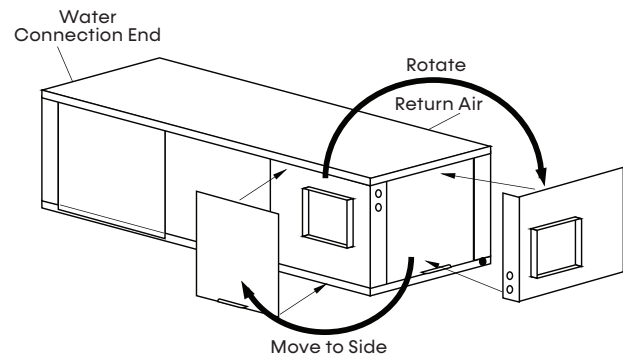
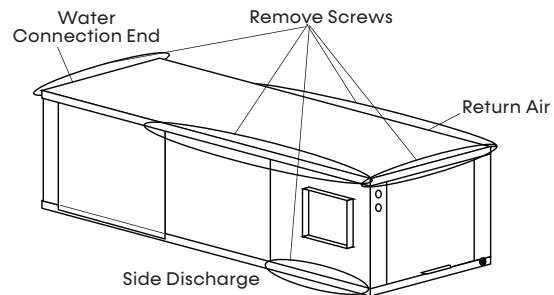
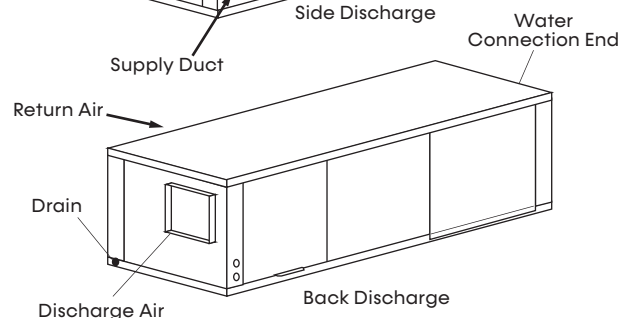
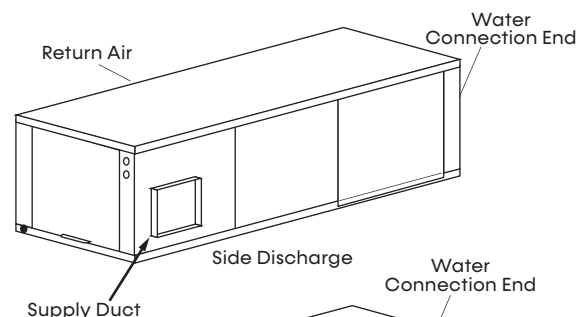


Figure 6: Right Return – Side-to-Back



Models:
MC
006-060

Vertical Installation

VERTICAL UNIT LOCATION

Units are not designed for outdoor installation. Locate the unit in an INDOOR area that allows enough space for service personnel to perform typical maintenance or repairs without removing unit from the mechanical room/closet. Never install units in areas subject to freezing or where humidity levels could cause cabinet condensation (such as unconditioned spaces subject to 100% outside air). Consideration should be given to access for easy removal of the filter and access panels. Provide sufficient room to make water, electrical, and duct connection(s). **NOTE: Minimum clearances for installation are the same as the minimum required service clearances. Consult the service clearances on for reference of installation clearances.**

If the unit is located in a confined space, such as a closet, provisions must be made for return air to freely enter the space by means of a louvered door, etc. Any access panel screws that would be difficult to remove after the unit is installed should be removed prior to setting the unit. Refer to the figures to the right for typical installation illustrations. Refer to submittal data or the engineering design guide for dimensional data.

1. For optimal sound performance, install the unit on a piece of rubber, neoprene, or other mounting pad material for sound isolation. The pad should be at least 3/8-inch (10 mm) to 1/2-inch (13 mm) in thickness. The vibration isolation pad should cover the entire base of the unit and slightly extend past all four edges of the base.
2. Provide adequate clearance for filter replacement and drain pan cleaning. Do not block filter access with piping, conduit, or other materials. Refer to unit submittal data or engineering design guide for dimensional data.
3. Provide access for fan and fan motor maintenance and for servicing the compressor and coils without removing the unit.
4. Provide an unobstructed path to the unit within the closet or mechanical room. Space should be sufficient to allow removal of the unit, if necessary.
5. In limited side access installations, pre-removal of the control box side mounting screws will allow control box removal for future servicing.

6. Provide access to water valves and fittings and screwdriver access to the unit side panels, discharge collar and all electrical connections.

Figure 7: Vertical Unit Mounting

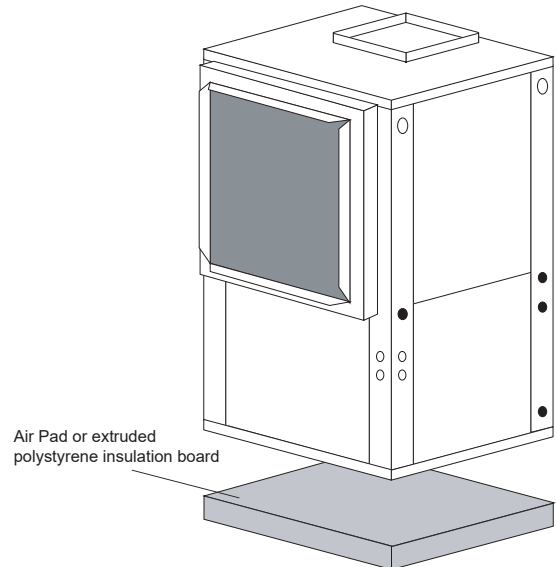
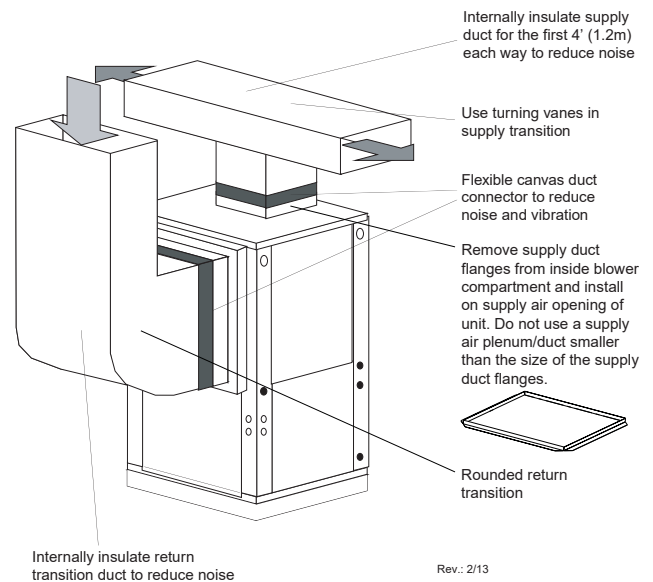


Figure 8: Typical Vertical Unit Installation Using Ducted Return Air



NOTICE

Installation Note - Ducted Return: Many horizontal WSHPs are installed in a return air ceiling plenum application (above ceiling). Filter rails are the industry standard and are included on commercial heat pumps only for holding the filter. For ducted return applications, the filter rail must be removed and replaced with a duct flange or filter frame. Canvas or flexible connectors should also be used to minimize vibration between the unit and ductwork.

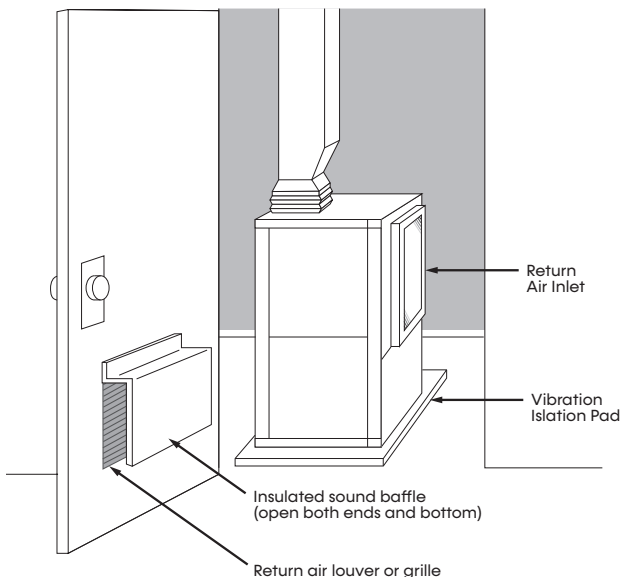
Vertical Installation

SOUND ATTENUATION FOR VERTICAL UNITS

Sound attenuation is achieved by enclosing the unit within a small mechanical room or a closet. Additional measures for sound control include the following:

1. Mount the unit so that the return air inlet is 90 degrees to the return air grille. Refer to the figure below. Install a sound baffle as illustrated to reduce line-of-sight sound transmitted through return air grilles.
2. Mount the unit on a rubber or neoprene isolation pad to minimize vibration transmission to the building structure.

Figure 10: Vertical Sound Attenuation



CONDENSATE PIPING FOR VERTICAL UNITS

A condensate line must be installed and pitched away from the unit to allow for proper drainage. This connection must meet all local plumbing and building codes.

Install condensate trap at each unit with the top of the trap positioned below the unit condensate drain connection. Design the depth of the trap (water-seal) based on the amount of ESP capability of the blower, where 2-inches (51 mm) of ESP capability requires 2-inches (51 mm) of trap depth. As a general rule, 1½-inches (38 mm) of trap depth is the minimum.

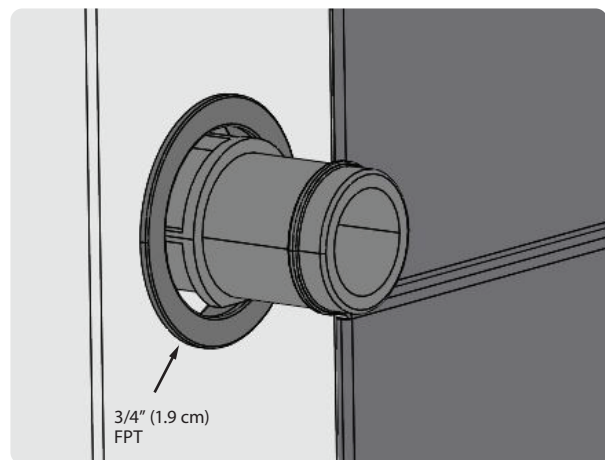
Always vent the condensate line when dirt or air can collect in the line or a long horizontal drain line is required. Also vent when large units are working against higher external static pressure than other units connected to the same condensate main since this may cause poor drainage for all units on the line. **WHEN A VENT IS INSTALLED IN THE DRAIN LINE, IT MUST BE LOCATED AFTER THE TRAP IN THE DIRECTION OF THE CONDENSATE FLOW.**

Each unit must be installed with its own individual vent (where necessary) and a means to flush or blow out the condensate drain line. Do not install units with a common trap and/or vent.

Condensate drain connection is a rubber coupling that couples to ¾-inch schedule 40/80 PVC. Use hose clamps to secure the pipe inside the coupling. If the connection is not secure, the connection may leak.

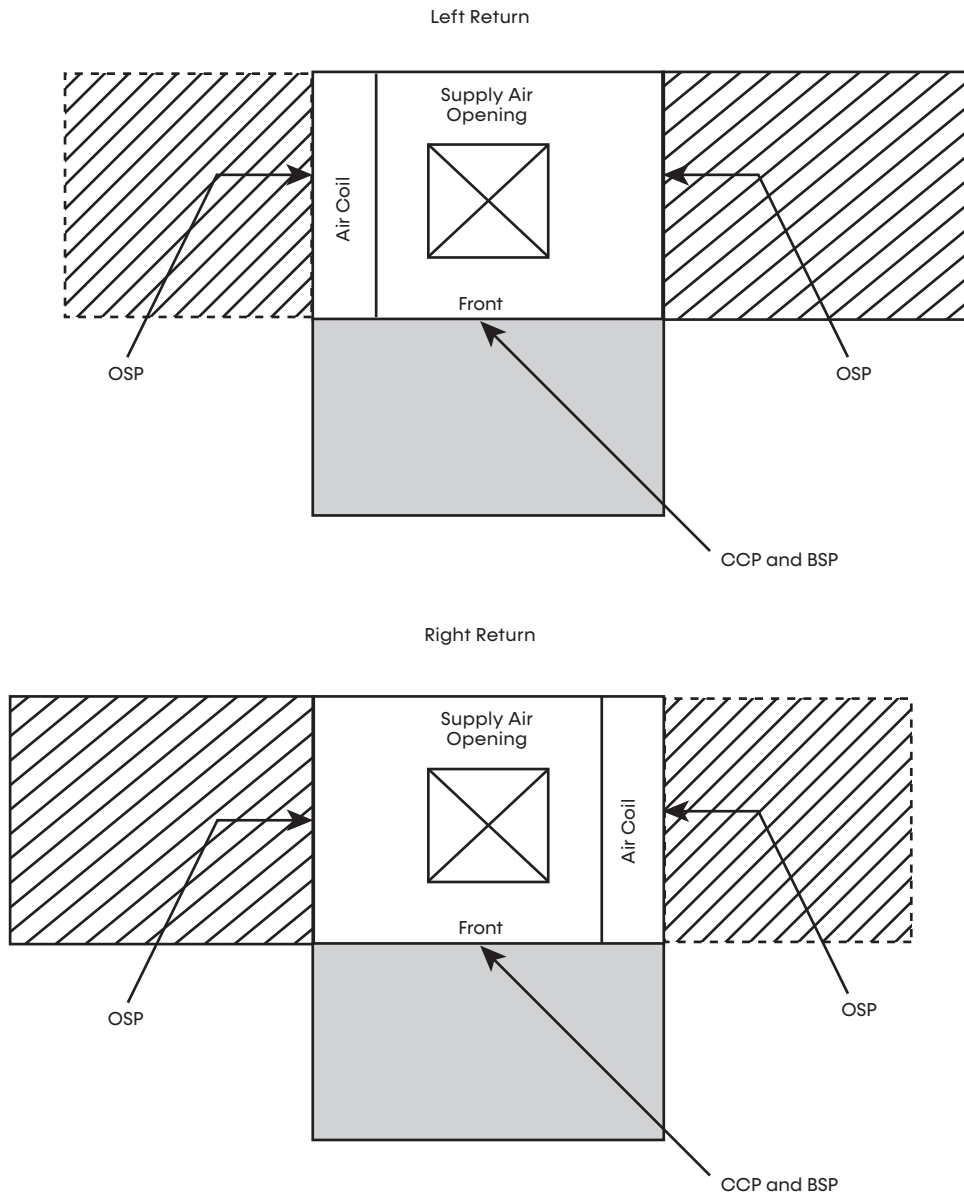
Instructions for coupling the condensate drain to the trap are included in the bag that includes the coupling and hose clamps.

Figure 9: Vertical Condensate Drain



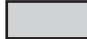

Models:
MC
006-060

Vertical Installation: Service Access



Notes:

1. While clear access to all removable panels is not required, installer should take care to comply with all building codes and allow adequate clearance for future field service.
2. Front and Side access is preferred for service access.
3. OSP are removable panels that provide additional access to the units interior. Clear access to OSP panels is not required and they are not to be used in place of the mandatory CCP and BSP panels.
4. Front return units (not shown) require front access for controls/compressor and left side access for blower.

-  = Mandatory Service Access 2-foot (61 cm)
-  = Optional Service Access 2-foot (61 cm)

Legend:

- CCP = Control/Compressor Access
- BSP = Blower Service Panel
- OSP = Additional Service Panel (not required)

Piping Installation

INSTALLATION SUPPLY AND RETURN PIPING

Follow these piping guidelines:

1. Install a drain valve at the base of each supply and return riser to facilitate system flushing.
2. Install shut-off/balancing valves and unions at each unit to permit unit removal for servicing.
3. Place strainers at the inlet of each system circulating pump.
4. Select the proper hose length to allow slack between connection points. Hoses may vary in length by +2% to -4% under pressure.
5. Refer to Table 2. Do not exceed the minimum bend radius for the hose selected. Exceeding the minimum bend radius may cause the hose to collapse, which reduces water flow rate. Install an angle adapter to avoid sharp bends in the hose when the radius falls below the required minimum.

Insulation is not required on loop water piping except where the piping runs through unheated areas, outside the building or when the loop water temperature is below the minimum expected dew point of the pipe ambient conditions. Insulation is required if loop water temperature drops below the dew point (insulation is required for ground loop applications in most climates).

Pipe-joint compound is not necessary when water thread sealant tape is pre-applied to hose assemblies or when flared-end connections are used. If pipe-joint compound is preferred, use compound only in small amounts on the external pipe threads of the fitting adapters. Prevent sealant from reaching the flared surfaces of the joint.

NOTE: When antifreeze is used in the water loop, ensure that it is compatible with the thread-sealant tape or pipe-joint compound that is applied.

Maximum allowable torque for brass fittings is 30 ft-lbs [41 N-m]. If a torque wrench is not available, tighten finger-tight plus one quarter turn. Tighten steel fittings as necessary.

Optional pressure-rated hose assemblies designed specifically for use with MARS units are available. Similar hoses can be obtained from alternate suppliers. Supply and return hoses are fitted with swivel-joint fittings at one end to prevent kinking during installation.

The figure below illustrates a typical supply/return hose kit. Adapters secure hose assemblies to the unit and risers. Install hose assemblies properly and check regularly to avoid system failure and reduced service life.

WARNING

Polyolester Oil, commonly known as POE oil, is a synthetic oil used in many refrigeration systems including those with R-454B refrigerant. POE oil, if it ever comes in contact with PVC or CPVC piping, may cause failure of the PVC/CPVC. PVC/CPVC piping should never be used as supply or return water piping with water source heat pump products containing R-454B as system failures and property damage may result.

CAUTION

Corrosive system water requires corrosion resistant fittings and hoses, and may require water treatment.

CAUTION

Do not bend or kink supply lines or hoses.

CAUTION

Piping must comply with all applicable codes.

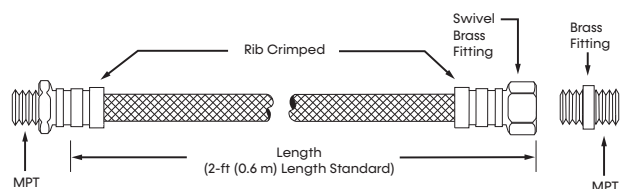
Table 2: Metal Hose Minimum Bend Radius

Hose Diameter	Minimum Bend Radius
1/2" [12.7 mm]	2-1/2" [6.4 cm]
3/4" [19.1 mm]	4" [10.2 cm]
1" [25.4 mm]	5-1/2" [14 cm]
1-1/4" [31.8 mm]	6-3/4" [17.1 cm]

NOTICE

Do not allow hoses to rest against structural building components. Compressor vibration may be transmitted through the hoses to the structure, causing unnecessary noise complaints.

Figure 11: Supply/Return Hose Kit



Water-Loop Heat Pump Applications

COMMERCIAL WATER-LOOP APPLICATIONS

Commercial systems typically include a number of units connected to a common piping system. Any unit plumbing maintenance work can introduce air into the piping system; therefore air elimination equipment is a major portion of the mechanical room plumbing. Consideration should be given to insulating the piping surfaces to avoid condensation. The manufacturer recommends piping insulation any time the water temperature is below 60°F (15.6°C). Metal to plastic threaded joints should never be used due to their tendency to leak over time.

Water thread sealant tape or thread sealant is recommended to minimize internal fouling of the heat exchanger. Do not over tighten connections and route piping so as not to interfere with service or maintenance access. Hose kits are available from the manufacturer in different configurations for connection between the unit and the piping system. Depending upon selection, hose kits may include shut off valves, P/T plugs for performance measurement, high pressure stainless steel braided hose, "Y" type strainer with blow down valve, and/or with blow down valve, auto-flow valve and swivel connections.

The piping system should be flushed to remove dirt, piping chips, and other foreign material prior to operation (see Piping System Cleaning and Flushing in this manual). The flow rate is usually set between 2.25 and 3.5 GPM per ton (2.9 and 4.5 l/m per kW) of cooling capacity. The manufacturer recommends 3 GPM per ton (3.9 l/m per kW) for most water-loop heat pump applications. To ensure proper maintenance and servicing, P/T ports are imperative for temperature, flow verification, and performance checks.

Water-loop heat pump (cooling tower/boiler) systems typically utilize a common loop, maintained between 60 - 90°F (16 - 32°C). The use of a closed circuit evaporative cooling tower with a secondary heat exchanger between the tower and the water loop is recommended. If an open type cooling tower is used continuously, chemical treatment and filtering will be necessary.

Ground-Loop Heat Pump Application

CAUTION

The following instructions represent industry accepted installation practices for closed loop earth coupled heat pump systems. Instructions are provided to assist the contractor in installing trouble free ground loops. These instructions are recommendations only. State/provincial and local codes MUST be followed and installation MUST conform to ALL applicable codes. It is the responsibility of the installing contractor to determine and comply with ALL applicable codes and regulations.

CAUTION

Ground loop applications require extended range equipment and optional refrigerant/water circuit insulation.

Test individual horizontal loop circuits before backfilling. Test vertical U-bends and pond loop assemblies prior to installation. Pressures of at least 100 psi (689 kPa) should be used when testing. Do not exceed the pipe pressure rating. Test entire system when all loops are assembled.

PRE-INSTALLATION

Prior to installation, locate and mark all existing underground utilities, piping, etc. Install loops for new construction before sidewalks, patios, driveways, and other construction has begun. During construction, accurately mark all ground loop piping on the plot plan as an aid in avoiding potential future damage to the installation.

PIPING INSTALLATION

All ground loop piping materials should be limited to polyethylene fusion only for in-ground sections of the loop. Galvanized or steel fittings should not be used at any time due to their tendency to corrode. All plastic to metal threaded fittings should be avoided due to their potential to leak in ground coupled applications. A flanged fitting should be substituted. P/T plugs should be used so that flow can be measured using the pressure drop of the unit heat exchanger.

Ground loop temperatures can range between 25 and 110°F (-4 to 43°C). Flow rates between 2.25 and 3 GPM (2.41 to 3.23 l/m per kW) of cooling capacity is recommended in these applications.

Table 3: Antifreeze Percentages by Volume

Type	Minimum Temperature for Low Temperature Protection			
	10°F [-12.2°C]	15°F [-9.4°C]	20°F [-6.7°C]	25°F [-3.9°C]
Methanol	25%	21%	16%	10%
100% USP food grade Propylene Glycol	38%	25%	22%	15%
Ethanol*	29%	25%	20%	14%

* Must not be denatured with any petroleum based product

FLUSHING THE GROUND LOOP

Upon completion of system installation and testing, flush the system to remove all foreign objects and purge to remove all air.

ANTIFREEZE

In areas where minimum entering loop temperatures drop below 40°F (5°C) or where piping will be routed through areas subject to freezing, antifreeze is required. Alcohols and glycols are commonly used as antifreeze; however your local sales office should be consulted to determine the antifreeze best suited to your area. Freeze protection should be maintained to 15°F (9°C) below the lowest expected entering loop temperature. For example, if 30°F (-1°C) is the minimum expected entering loop temperature, the leaving loop temperature would be 22 to 25°F (-6 to -4°C) and freeze protection should be at 15°F (-10°C).

Calculation is as follows:

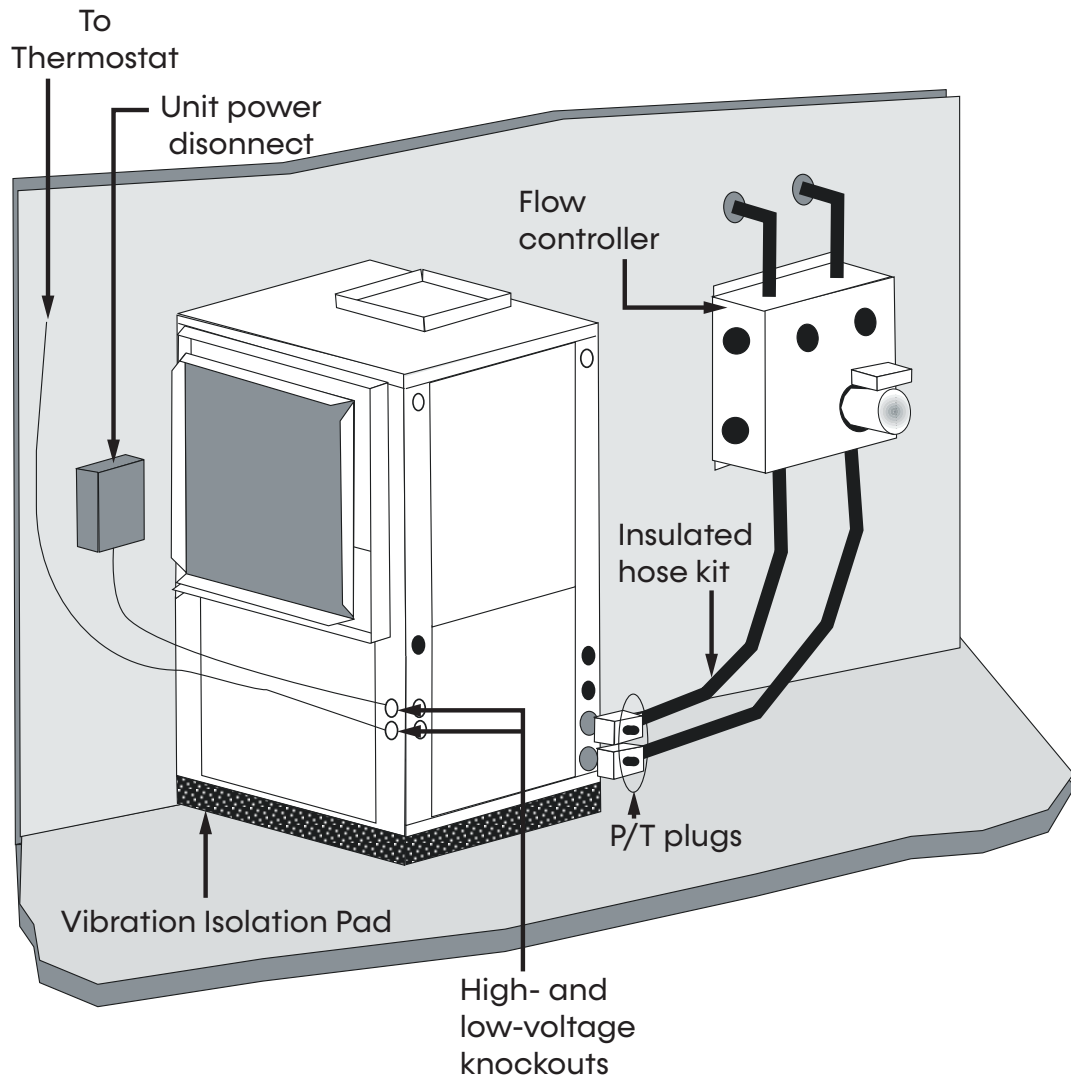
$$30^{\circ}\text{F} - 15^{\circ}\text{F} = 15^{\circ}\text{F} \quad [-1^{\circ}\text{C} - 9^{\circ}\text{C} = -10^{\circ}\text{C}]$$

All alcohols should be premixed and pumped from a reservoir outside of the building when possible or introduced under the water level to prevent fumes. Calculate the total volume of fluid in the piping system. Then use the percentage by volume shown in the table below for the amount of antifreeze needed. Antifreeze concentration should be checked from a well mixed sample using a hydrometer or refractometer to measure specific gravity.

Models:
MC
006-060

Ground-Loop Heat Pump Applications

Figure 12: Typical Ground-Loop Application



Water Quality Requirements

Table 4: Water Quality Requirements

Clean water is essential to the performance and life span of water source heat pumps. Contaminants, chemicals, and minerals all have the potential to cause damage to the water heat exchanger if not treated properly. All closed water loop systems should undergo water quality testing and be maintained to the water quality standards listed in this table.

Water Quality Requirements For Closed-Loop and Open-Loop Systems							
	Description	Symbol	Units	Heat Exchanger Type			
				Closed Loop Recirculating		Open Loop, Tower, Ground Source Well	
				All Heat Exchanger Types	Coaxial HX Copper Tube in Tube	Coaxial HX Cupronickel	Brazed- Plate HX 316 SS
Scaling Potential	pH - Chilled Water <85°F			7.0 to 9.0	7.0 to 9.0	7.0 to 9.0	7.0 to 9.0
	pH - Chilled Water >85°F			8.0 to 10.0	8.0 to 10.0	8.0 to 10.0	8.0 to 10.0
	Alkalinity	(HCO ₃ ⁻)	ppm - CaCO ₃ equivalent	50 to 500	50 to 500	50 to 500	50 to 500
	Calcium	(Ca)	ppm	<100	<100	<100	<100
	Magnesium	(Mg)	ppm	<100	<100	<100	<100
	Total Hardness	(CaCO ₃)	ppm - CaCO ₃ equivalent	30 to 150	150 to 450	150 to 450	150 to 450
	Langelier Saturation Index	LSI		-0.5 to +0.5	-0.5 to +0.5	-0.5 to +0.5	-0.5 to +0.5
	Ryznar Stability Index	RSI		6.5 to 8.0	6.5 to 8.0	6.5 to 8.0	6.5 to 8.0
Corrosion Prevention	Total Dissolved Solids	(TDS)	ppm - CaCO ₃ equivalent	<1000	<1000	<1000	<1000
	Sulfate	(SO ₄ ²⁻)	ppm	<200	<200	<200	<200
	Nitrate	(NO ₃ ⁻)	ppm	<100	<100	<100	<100
	Chlorine (free)	(Cl)	ppm	<0.5	<0.5	<0.5	<0.5
	Chloride (water < 80°F)	(Cl ⁻)	ppm	<20	<20	<150	<150
	Chloride (water > 120°F)	(Cl ⁻)	ppm	<20	<20	<125	<125
	Hydrogen Sulfide ^a	(H ₂ S)	ppb	<0.5	<0.5	<0.5	<0.5
	Carbon Dioxide	(CO ₂)	ppm	0	<50	10 to 50	10 to 50
	Iron Oxide	(Fe)	ppm	<1.0	<1.0	<1.0	<0.2
	Manganese	(Mn)	ppm	<0.4	<0.4	<0.4	<0.4
	Ammonia	(NH ₃)	ppm	<0.05	<0.1	<0.1	<0.1
	Chloramine	(NH ₂ CL)	ppm	0	0	0	0
	Fouling & Biological	Iron bacteria		cells/mL	0	0	0
Slime-forming bacteria			cells/mL	0	0	0	0
Sulfate-reducing bacteria			cells/mL	0	0	0	0
Suspended Solids ^b		(TSS)	ppm	<10	<10	<10	<10
Electrolysis All HX types	Earth Ground Resistance ^x		Ohms		Consult NEC and local electrical codes for grounding requirements		
	Electrolysis Voltage ^d		mV		Measure voltage and internal water loop to HP ground		
	Leakage Current ^d		mA		Measure current in water loop pipe		
Building Primary Electrical Ground to unit, must meet local diameter and penetration length requirements. Do not connect heat pump to steel pipe unless dissimilar materials are separated by using Di-electric unions. Galvanic corrosion of heat pump water pipe will occur							

Models:
MC
006-060

Water Quality Requirements

1. The Water Quality table provides water quality requirements for coaxial and brazed-plate heat exchangers.
2. The water must be evaluated by an independent testing facility comparing site samples against this table. When water properties are outside of these parameters, the water must either be treated by a professional water treatment specialist to bring the water quality within the boundaries of this specification, or an external secondary heat exchanger must be used to isolate the heat pump water system from the unsuitable water. Failure to do so will void the warranty of the heat pump system and will limit liability for damage caused by leaks or system failure.
3. Regular sampling, testing and treatment of the water is necessary to assure that the water quality remains within acceptable levels thereby allowing the heat pump to operate at optimum levels.
4. If closed-loop systems are turned off for extended periods, water samples must be tested prior to operating the system.
5. For optimal performance, it is recommended that the closed-loop piping systems are initially filled with de-ionized water.
6. Well water with chemistry outside of these boundaries, and salt water or brackish water requires an external secondary heat exchanger. Surface/Pond water should not be used.
7. If water temperature is expected to fall below 40°F (4.4°C), antifreeze is required. Refer to the heat pump IOM for the correct solution ratios to prevent freezing.
 - α Hydrogen Sulfide has an odor of rotten eggs. If one detects this smell, a test for H₂S must be performed. If H₂S is detected above the limit indicated, remediation is necessary. Consult with your water testing/treatment professional. If a secondary heat exchanger is required, use appropriate materials as recommended by the heat exchanger supplier.
 - β Suspended solids and particulates must be filtered to prevent fouling and failure of heat exchangers. Strainers or particulate filters must be installed to provide a maximum particle size of 600 micron (0.60 mm, 0.023 inch) using a 20 to 30 mesh screen size. When a loop is installed in areas with fine material such as sand or clay, further filtration is required to a maximum of 100 micron. Refer to the Strainer / Filter Sizing Chart to capture the particle sizes encountered on the site.
 - χ The WSHP piping system or other plumbing pipes must not be used as the building ground. An electrical grounding system using a dedicated ground rod meeting NEC and local electrical codes must be installed.
 - δ Refer to the Antifreeze Percentages by Volume table for instructions on measuring resistance and leakage currents within water loops.

Strainer / Filter Sizing

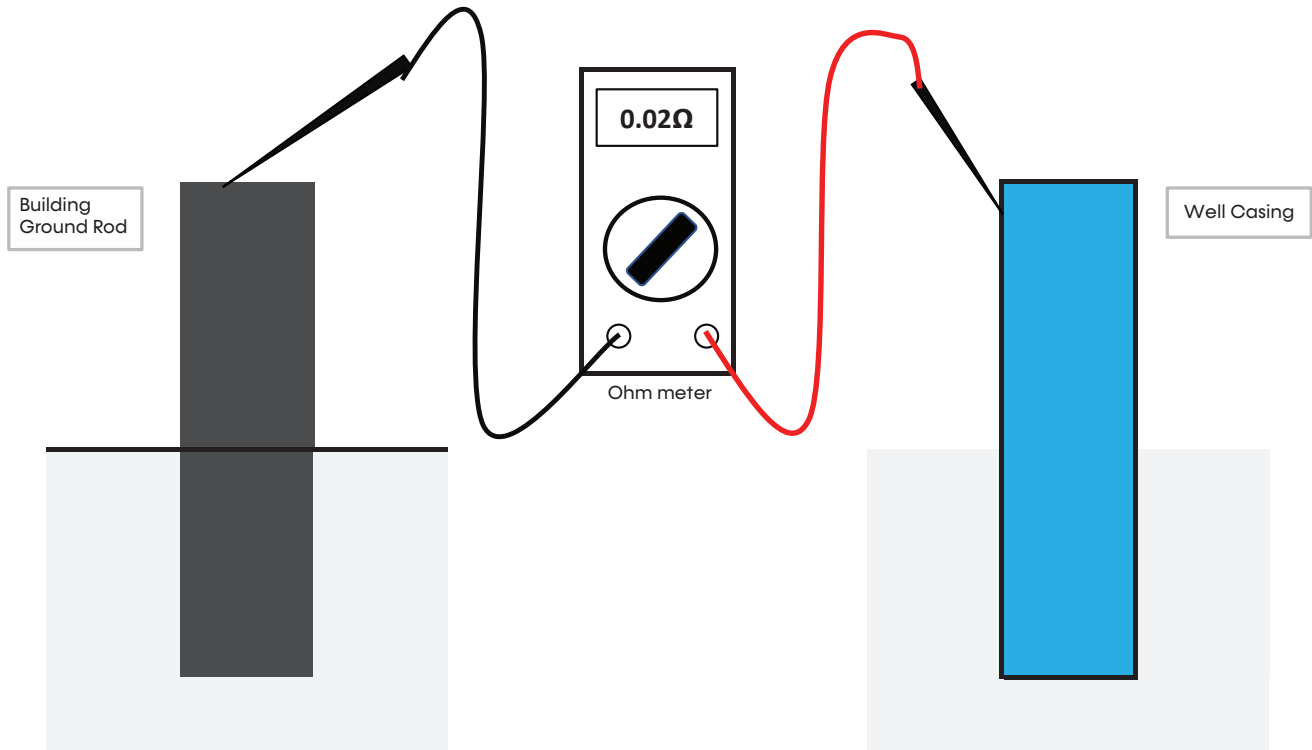
Mesh Size	Particle Size		
	Microns	MM	Inch
20	840	0.840	0.0340
30	533	0.533	0.0210
60	250	0.250	0.0100
100	149	0.149	0.0060
150	100	0.100	0.0040
200	74	0.074	0.0029

ppm = parts per million
ppb = parts per billion

Water Quality Requirements

Models:
MC
006-060

Measuring Earth Ground Resistance for Ground-Water Applications



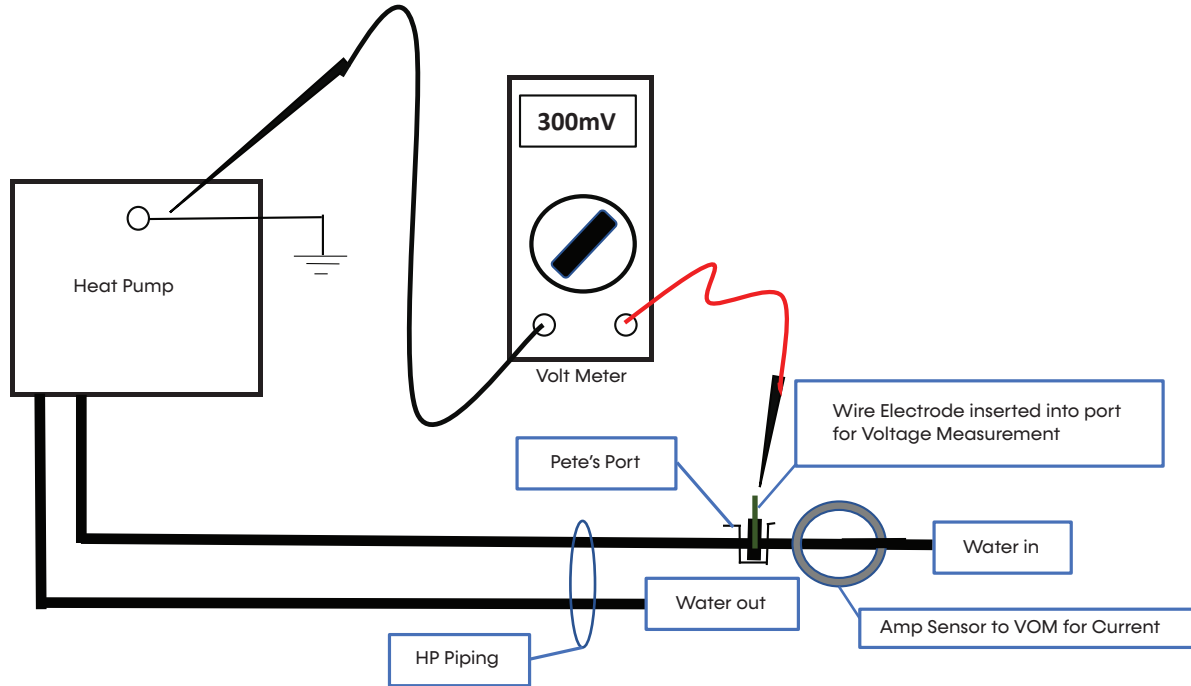
Measure the earth ground bond using an Ohm meter between the building's ground rod and the steel well casing.

The resistance measured should be zero Ohms. The NEC allows a resistance to ground up to 20 Ohms. Any resistance above zero indicates a poor earth ground, which may be the result of a hot neutral line or that conductive water is present. Both of these may lead to electrolysis and corrosion of the heat pump piping. A check for both should be performed and resolved.

NOTE: If the well casing is plastic, a conductive path can be achieved by inserting a #6 AWG bare copper wire into the well water. Remove the temporary conductor when finished.

Water Quality Requirements

Measuring Electrolysis, Voltage, and Current for Ground-Water Applications



Measure the electrolysis voltage using a volt meter between the heat pump ground and a #14 AWG solid copper wire electrode inserted into the water using a Pete's style access port.

The heat pump must be operating and the water stream flowing.

The voltage measured should be less than 300mV (0.300V). If the voltage is higher than 500mV, electrolysis will occur and corrosion will result.

If voltage is measured, the cause is a high-resistance earth ground or current on the neutral conductor. Remedial measures should be performed.

Measure the current flowing through the piping system by using an amp clamp probe on the water-in line. The heat pump must be operating and the water stream flowing.

There should be zero amps measured. If current is present, there is leakage current to the plumbing system and it must be rectified to prevent pipe corrosion.

Electrical Data PSC Blower Motor Standard Unit

Models:
MC
006-060

Model	VOLTAGE CODE	RATED VOLTAGE	VOLTAGE MIN/MAX	COMPRESSOR			FAN MOTOR FLA	TOTAL UNIT FLA	MIN CIRCUIT AMP	MAX FUSE/HACR
				QTY	RLA	LRA				
MC006	G.J.	208/230-1-60	187/252	1	3.7	17.7	0.3	4.0	4.9	15
	E.D.	265-1-60	249/291	1	2.6	10.5	0.4	3.0	3.7	15
MC009	G.J.	208/230-1-60	187/252	1	5.0	22.2	0.8	5.8	7.1	15
	E.D.	265-1-60	249/291	1	3.6	13.5	0.8	4.4	5.3	15
MC012	G.J.	208/230-1-60	187/252	1	5.6	32.5	0.8	6.4	7.8	15
	E.D.	265-1-60	249/291	1	4.2	23.0	0.8	5.0	6.1	15
MC015	G.J.	208/230-1-60	187/252	1	6.6	31.0	0.9	7.5	9.2	15
	E.D.	265-1-60	249/291	1	5.0	27.0	0.7	5.7	7.0	15
MC018	G.J.	208/230-1-60	187/252	1	7.0	35.0	0.9	7.9	9.7	15
	E.D.	265-1-60	249/291	1	6.5	40.0	0.7	7.2	8.8	15
MC024	G.J.	208/230-1-60	187/252	1	11.4	64.4	1.5	12.9	15.8	25
	E.D.	265-1-60	249/291	1	10.3	60.5	1.2	11.5	14.1	20
	H.K.	208/230-3-60	187/252	1	7.7	59.9	1.5	9.2	11.1	15
	F.L.	460-3-60	432/504	1	3.8	32.4	0.8	4.6	5.5	15
MC030	G.J.	208/230-1-60	187/252	1	12.7	75.6	2.7	15.4	18.6	30
	E.D.	265-1-60	249/291	1	11.5	84.0	2.9	14.4	17.3	25
	H.K.	208/230-3-60	187/252	1	9.6	67.7	2.7	12.3	14.7	20
	F.L.	460-3-60	432/504	1	4.5	38.1	1.6	6.1	7.2	15
MC036	G.J.	208/230-1-60	187/252	1	14.4	86.0	2.6	17.0	20.6	35
	E.D.	265-1-60	249/291	1	10.2	55.0	2.0	12.2	14.8	25
	H.K.	208/230-3-60	187/252	1	9.0	70.0	2.6	11.6	13.9	20
	F.L.	460-3-60	432/504	1	4.1	39.0	1.2	5.3	6.3	15
MC042	G.J.	208/230-1-60	187/252	1	17.3	123.0	2.7	20.0	24.3	40
	H.K.	208/230-3-60	187/252	1	12.8	102.8	2.7	15.5	18.7	30
	F.L.	460-3-60	432/504	1	5.8	48.5	1.6	7.4	8.9	15
	N.M.	575-3-60	540/630	1	5.1	41.0	1.4	6.5	7.8	15
MC048	G.J.	208/230-1-60	187/252	1	22.4	126.0	3.3	25.7	31.3	50
	H.K.	208/230-3-60	187/252	1	12.8	120.4	3.3	16.1	19.3	30
	F.L.	460-3-60	432/504	1	6.0	49.4	1.7	7.7	9.2	15
	N.M.	575-3-60	540/630	1	5.8	41.0	1.4	7.2	8.7	15
MC060	G.J.	208/230-1-60	187/252	1	23.7	157.0	4.8	28.5	34.4	50
	H.K.	208/230-3-60	187/252	1	16.0	156.4	4.8	20.8	24.8	40
	F.L.	460-3-60	432/504	1	7.1	69.0	2.4	9.5	11.3	15
	N.M.	575-3-60	540/630	1	6.4	48.0	1.8	8.2	9.8	15
MC041	G.J.	208/230-1-60	187/252	1	16.7	93.5	2.7	19.4	23.6	40
	H.K.	208/230-3-60	187/252	1	12.2	97.5	2.7	14.9	18.0	30
	F.L.	460-3-60	432/504	1	5.8	44.3	1.6	7.4	8.9	15
	N.M.	575-3-60	540/630	1	4.5	27.1	1.4	5.9	7.0	15

Notes:
 • All fuses Class RK-5.

Models:
MC
006-060

Electrical Data: EC Blower Motor Standard Unit

Model	MC Electrical Table						CT EC				CV EC*			
	VOLTAGE CODE	VOLTAGE	VOLTAGE MIN/MAX	COMPRESSOR			FAN MOTOR FLA	TOTAL UNIT FLA	MIN CIRCUIT AMP	FUSE/HACR AMP	FAN MOTOR FLA	TOTAL UNIT FLA	MIN CIRCUIT AMP	FUSE/HACR AMP
				QTY	RLA	LRA								
MC006	G.J.	208/230-1-60	187/252	1	3.7	17.7	2.3	6.0	6.9	15	1.5	5.2	6.1	15
	E.D.	265-1-60	249/291	1	2.6	10.5	2.3	4.9	5.6	15	1.4	4.0	4.7	15
MC009	G.J.	208/230-1-60	187/252	1	5.0	22.2	2.3	7.3	8.6	15	1.5	6.5	7.8	15
	E.D.	265-1-60	249/291	1	3.6	13.5	2.3	5.9	6.8	15	1.4	5.0	5.9	15
MC012	G.J.	208/230-1-60	187/252	1	5.6	32.5	2.3	7.9	9.3	15	2.6	8.2	9.6	15
	E.D.	265-1-60	249/291	1	4.2	23.0	2.3	6.5	7.6	15	2.5	6.7	7.8	15
MC015	G.J.	208/230-1-60	187/252	1	6.6	31.0	2.6	9.2	10.9	15	2.6	9.2	10.9	15
	E.D.	265-1-60	249/291	1	5.0	27.0	1.9	6.9	8.2	15	2.4	7.4	8.7	15
MC018	G.J.	208/230-1-60	187/252	1	7.0	35.0	2.6	9.6	11.4	15	2.6	9.6	11.4	15
	E.D.	265-1-60	249/291	1	6.5	40.0	1.9	8.4	10.0	15	2.1	8.6	10.2	15
MC024	G.J.	208/230-1-60	187/252	1	11.4	64.4	3.9	15.3	18.2	25	4.2	15.6	18.5	25
	E.D.	265-1-60	249/291	1	10.3	60.5	3.7	14.0	16.6	25	3.4	13.7	16.3	25
	H.K.	208/230-3-60	187/252	1	7.7	59.9	3.9	11.6	13.5	20	4.2	11.9	13.8	20
	F.L.	460-3-60*	432/504	1	3.8	32.4	1.2	5.0	6.0	15	3.4	7.2	8.2	15
MC030	G.J.	208/230-1-60	187/252	1	12.7	75.6	3.9	16.6	19.8	30	4.2	16.9	20.1	30
	E.D.	265-1-60	249/291	1	11.5	84.0	3.7	15.2	18.1	25	3.4	14.9	17.8	25
	H.K.	208/230-3-60	187/252	1	9.6	67.7	3.9	13.5	15.9	25	4.2	13.8	16.2	25
	F.L.	460-3-60*	432/504	1	4.5	38.1	1.2	5.7	6.8	15	3.4	7.9	9.0	15
MC036	G.J.	208/230-1-60	187/252	1	14.4	86.0	6.0	20.4	24.0	35	5.9	20.3	23.9	35
	E.D.	265-1-60	249/291	1	10.2	55.0	5.2	15.4	18.0	25	4.8	15.0	17.6	25
	H.K.	208/230-3-60	187/252	1	9.0	70.0	6.0	15.0	17.3	25	5.9	14.9	17.2	25
	F.L.	460-3-60*	432/504	1	4.1	39.0	1.7	5.8	6.8	15	4.8	8.9	9.9	15
MC042	G.J.	208/230-1-60	187/252	1	17.3	123.0	6.0	23.3	27.6	40	5.9	23.2	27.5	40
	H.K.	208/230-3-60	187/252	1	12.8	102.8	6.0	18.8	22.0	30	5.9	18.7	21.9	30
	F.L.	460-3-60*	432/504	1	5.8	48.5	1.7	7.5	9.0	15	4.8	10.6	12.1	15
MC048	G.J.	208/230-1-60	187/252	1	22.4	126.0	6.0	28.4	34.0	50	5.9	28.3	33.9	50
	H.K.	208/230-3-60	187/252	1	12.8	120.4	6.0	18.8	22.0	30	5.9	18.7	21.9	30
	F.L.	460-3-60*	432/504	1	6.0	49.4	1.7	7.7	9.2	15	4.8	10.8	12.3	15
MC060	G.J.	208/230-1-60	187/252	1	23.7	157.0	7.4	31.1	37.0	60	7.5	31.2	37.1	60
	H.K.	208/230-3-60	187/252	1	16.0	156.4	7.4	23.4	27.4	40	7.5	23.5	27.5	40
	F.L.	460-3-60*	432/504	1	7.1	69.0	2.3	9.4	11.2	15	6.2	13.3	15.1	20

Notes:

- All fuses Class RK-5.

***Neutral connection required! All F and L voltage (460VAC) units with a CV EC motor require a four-wire power supply with neutral. The CV EC motor is rated 265VAC and is wired between one hot leg and neutral.**

Electrical: Power Wiring

⚠ WARNING

Disconnect electrical power source to prevent injury or death from electrical shock.

⚠ CAUTION

Use only copper conductors for field installed electrical wiring. Unit terminals are not designed to accept other types of conductors.

ELECTRICAL

Line Voltage - All field installed wiring, including electrical ground, must comply with NFPA 70: National Electrical Code (NEC), CSA C22.1: Canadian Electrical Code (CE Code), as well as applicable local codes. Refer to the unit electrical data for fuse sizes. Consult wiring diagram for field connections that must be made by the installing (or electrical) contractor. All final electrical connections must be made with a length of flexible conduit to minimize vibration and sound transmission to the building.

Disconnects - Units with a factory-installed disconnect switch will provide full separation of all poles and disconnection from main line voltage. For units where factory disconnect is not selected as an option, the installer must incorporate the means to fully disconnect the line voltage in the fixed wiring in accordance with wiring rules and local electrical codes.

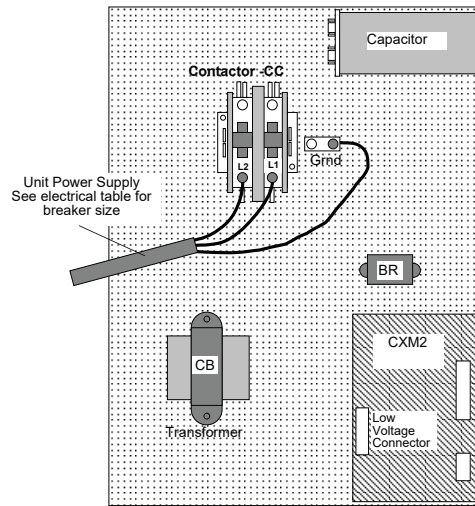
POWER CONNECTION

Line voltage connection is made by connecting the incoming line voltage wires to the "L" side of the contactor. Consult electrical data tables for maximum fuse size.

GENERAL LINE VOLTAGE WIRING

Be sure the available power is the same voltage and phase shown on the unit serial plate. Line and low voltage wiring must be done in accordance with local codes or the National Electric Code, whichever is applicable.

Figure 13: Single Phase Line Voltage Field Wiring



NOTE: 460V units with a CV EC motor or Internal Secondary Pump require a neutral wire. Three-phase wiring is similar except that all three power wires are directly connected to the contactor.

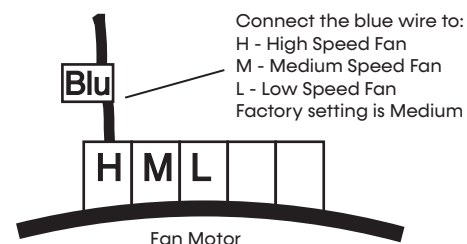
TRANSFORMER

All 208/230V units are factory wired for 208V. If supply voltage is 230V, installer must rewire transformer. See wire diagram for connections.

BLOWER SPEED SELECTION

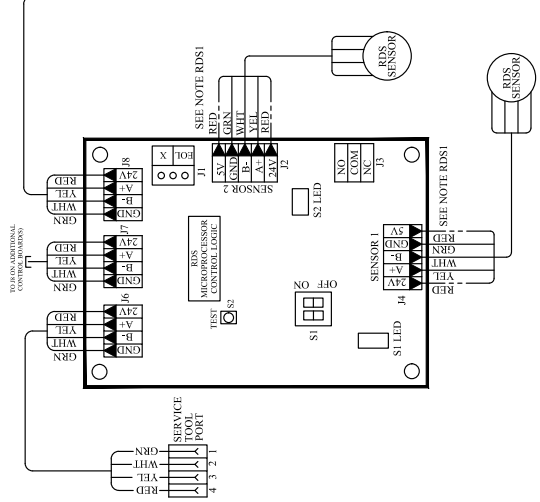
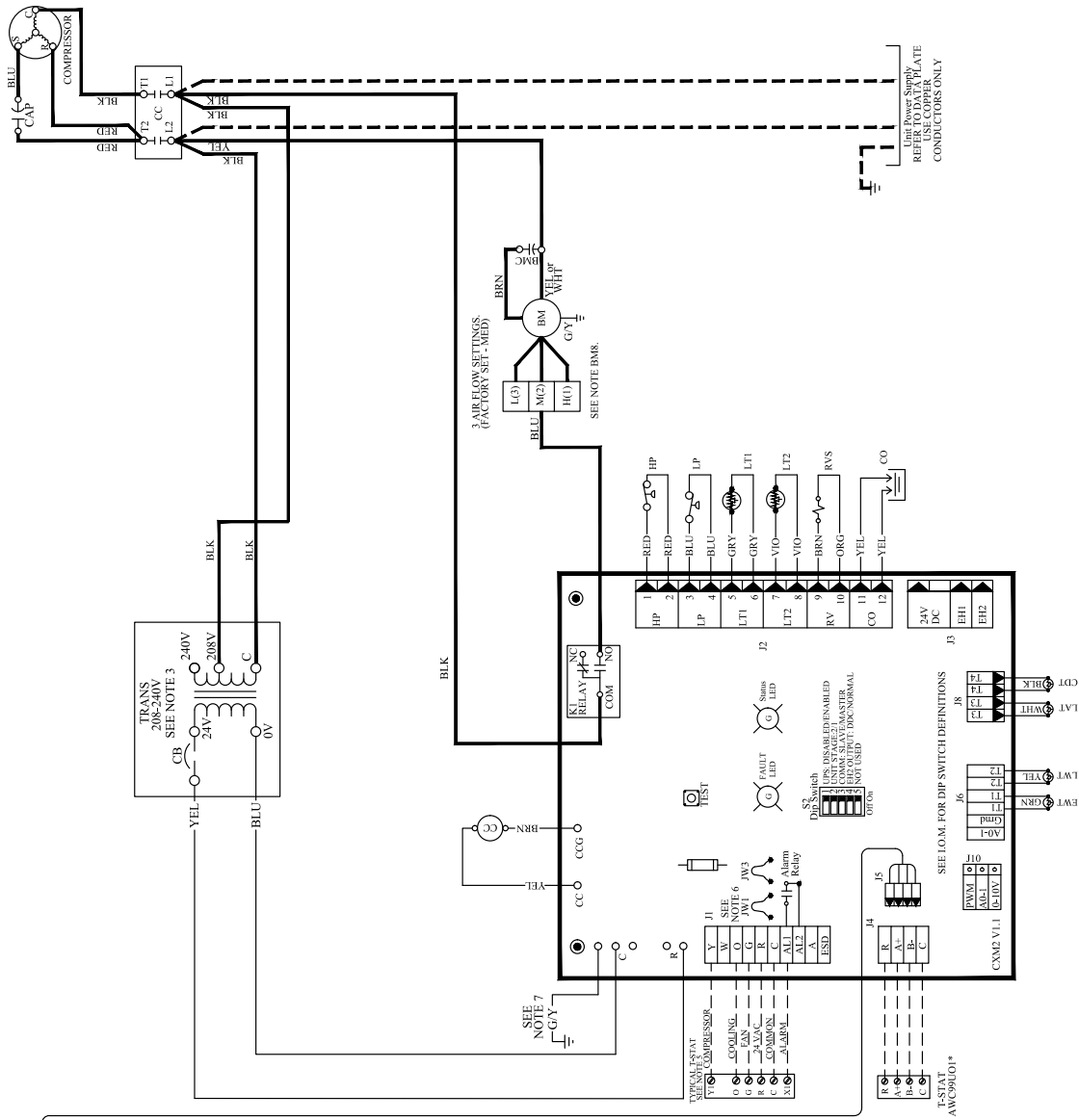
Units with PSC Motor - PSC (Permanent Split Capacitor) blower motor speed can be changed by moving the blue wire on the motor terminal block to the desired speed as shown in the figure below. Most units are shipped on the medium speed tap. Consult submittal data or engineering design guide for specific unit airflow tables. Typical unit design delivers rated airflow at nominal static (0.15 inch w.g. [37 Pa]) on medium speed and rated airflow at a higher static (0.4 to 0.5 in. w.g. [100 to 125 Pa]) on high speed for applications where higher static is required. Low speed will deliver approximately 85% of rated airflow at 0.10 in. w.g. [25 Pa].

Figure 14: PSC Motor Speed Selection



Models:
MC
006-060

Electrical: CXM2 Example Wiring Diagram



- NOTES:**
- Field Use Only:** Transformer wiring is voltage-sensitive. Use layout corresponding to the unit voltage. Typical heat-pump thermostat wiring shown. Refer to thermostat IOM for wiring to the unit. Thermostat wiring must be "Class I" and voltage rating equal to or greater than unit supply voltage.
 - Transformer Secondary Ground** via control board standoffs and/or Common to Control Box.
 - PSC blower motors:** The blower motor is factory wired for medium and high speeds. For any other combination of speeds, at the motor, attach the black wire to the higher of the two desired speed taps, and the blue wire to the lower of the two desired speed taps.
 - The supply voltage requirement for the refrigerant-detection sensor may be 5VDC or 24VAC depending on the type of sensor provided by the manufacturer.

Electrical: Low Voltage Wiring

THERMOSTAT CONNECTIONS

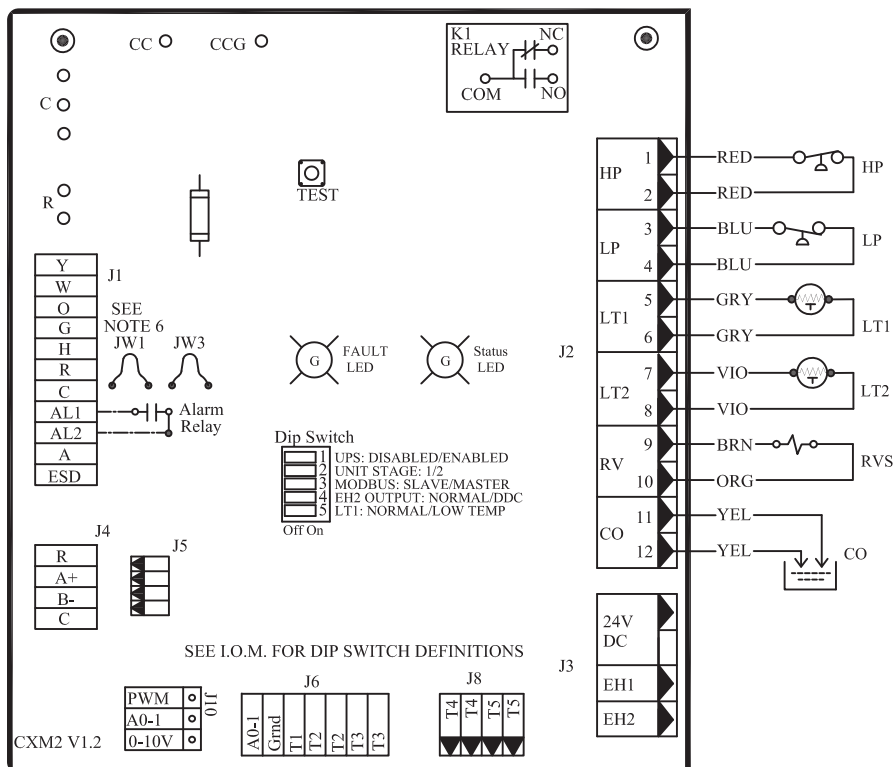
The thermostat should be wired directly to the CXM2 or DXM2.5. See Electrical: Thermostat Wiring for specific terminal connections. Review the appropriate AOM (Application, Operation and Maintenance) manual for units with DDC controls.

LOW WATER TEMPERATURE CUTOUT SELECTION

The CXM2/DXM2.5 allows the field selection of low water (or water-antifreeze solution) temperature limit by clipping jumper JW3 (see the figure below), which changes the sensing temperature associated with thermistor LT1. Note that the LT1 thermistor is located on the refrigerant line between the coaxial heat exchanger and expansion device (TXV).

Therefore, LT1 is sensing refrigerant temperature, not water temperature, which is a better indication of how water flow rate/temperature is affecting the refrigeration circuit. The factory setting for LT1 is for systems using water (30°F [-1.1°C] refrigerant temperature). In low water temperature (extended range) applications with antifreeze (most ground loops), jumper JW3 should be clipped as shown in the figure below to change the setting to 10°F (-12.2°C) refrigerant temperature, a more suitable temperature when using an antifreeze solution. All MARS units operating with entering water temperatures below 60°F (15.6°C) must include the optional water/refrigerant circuit insulation package to prevent internal condensation.

Figure 15: LT1 Limit Setting



Models:
MC
006-060

Electrical: Low Voltage Wiring

ACCESSORY CONNECTIONS

A terminal paralleling the compressor contactor coil has been provided on the CXM2/DXM2.5. Terminal “A” is designed to control accessory devices, such as water valves. **Note: This terminal should be used only with 24V signals and not line voltage.** Terminal “A” is energized with the compressor contactor. See Figure 16 or the specific unit wiring diagram for details.

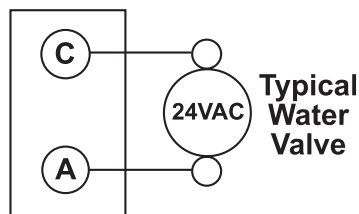
Low Voltage VA Ratings

Component	VA
Typical Blower Relay	6 - 7
Typical Reversing Valve Solenoid	4 - 6
30 A Compressor Contactor	6 - 9
Subtotal	16 - 22
+ CXM2 (5 - 9VA)*	21 - 31
Remaining VA for Accessories	19 - 29
+ DXM2.5 (8 - 12VA)*	24 - 34
Remaining VA for Accessories	41 - 51

*Standard transformer for CXM2 is 50VA.
Optional DXM2.5 and/or DDC controls
Include 75VA transformer.

Figure 16: Accessory Wiring

Terminal Strip



WATER SOLENOID VALVES

An external solenoid valve(s) should be used on ground water installations to shut off flow to the unit when the compressor is not operating. A slow closing valve may be required to help reduce water hammer. Figure 16 shows typical wiring for a 24VAC external solenoid valve. Figure 17 and Figure 18 illustrate a slow-closing water control valve wiring for two styles of typical accessory water valves. Slow closing valves take approximately 60 seconds to open (very little water will flow before 45 seconds).

Once fully open, an end switch allows the compressor to be energized. Only relay or triac based electronic thermostats should be used with slow closing valves. When wired as shown, the slow closing valve will operate properly with the following notations:

1. The valve will remain open during a unit lockout.
2. The valve will draw approximately 25-35VA through the “Y” signal of the thermostat.

NOTE: This valve can overheat the anticipator of an electromechanical thermostat. Therefore, only relay or triac based thermostats should be used.

NOTE: If the field-installed motorized water valve exceeds the CXM2’s remaining available VA capacity, it is recommended to choose the DXM2.5 option.

Figure 17: Accessory Motorized Water Valve – Typical Wiring Example #1

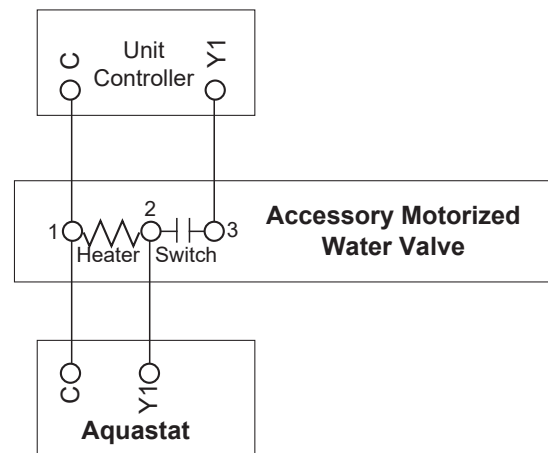
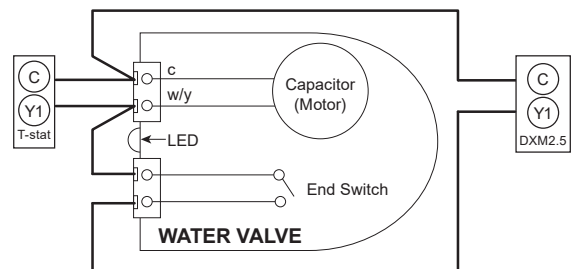


Figure 18: Accessory Motorized Water Valve - Typical Wiring Example #2



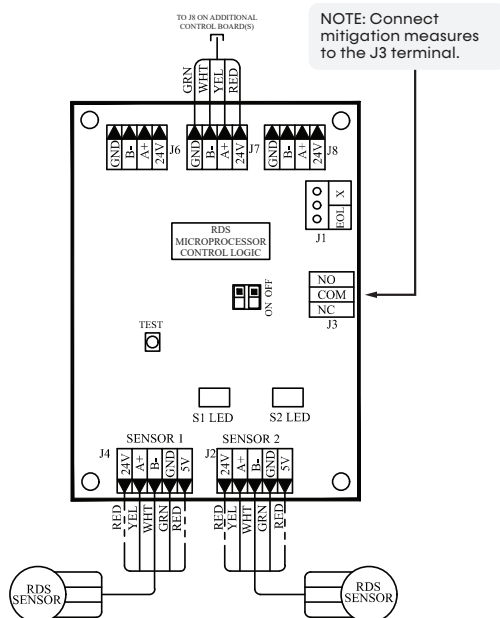
Electrical: Low Voltage Wiring

REFRIGERANT DETECTION SYSTEM (RDS)

The function, operation, and required servicing measures for the RDS include the following:

- The RDS monitors the status of the refrigerant sensor(s) in the unit. If refrigerant is detected above the maximum threshold, the control enables the unit blower, disables the compressor(s), and enables the pilot relay on the RDS control board. You can use this relay to open external zoning dampers and/or activate external mechanical ventilation. The relay is normally closed (NC) and can control a signal with a maximum of 28VA @ 24VAC.
- A fault is enabled if the RDS control board loses communication with a refrigerant sensor, or if the main control board loses communication with the RDS board. See Functional Troubleshooting for steps to troubleshoot the RDS.
- The End of Line (EoL) termination is used to prevent signal reflection issues in the communication network. When the EoL termination is enabled, it places a resistor at the end of the communication line, ensuring proper signal integrity and reducing potential communication errors. Add the EoL termination resistor when the RDS board is the end of a daisy-chain, and the total length of the wire is greater than 50 feet.

Figure 19: RDS Board



FIELD-INSTALLED RDS SYSTEM

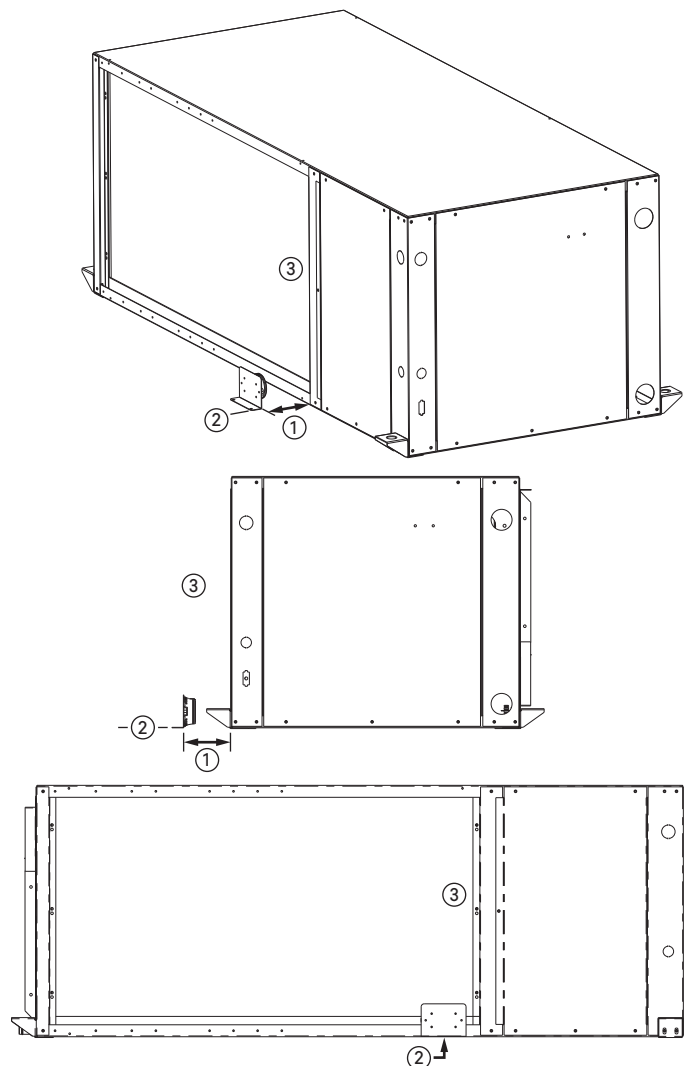
If an RDS is optionally being field-installed on non-ducted horizontal units in sizes 006-048, use the following guidelines to install the refrigerant detection sensor upstream of the unit's return air inlet:

1. The sensor must be located within 3 inches of the unit
2. The sensor must be on the same plane or lower than the unit
3. The sensor must be on the same side of the coil as the feeder tubes (feeder tubes are located near the electrical components)

NOTICE

The sensor cannot be installed in a way that exposes it to water and must be installed using the orientation displayed in the figure below.

Figure 20: RDS Installation



Models:
MC
006-060

Electrical: Thermostat Wiring

THERMOSTAT INSTALLATION

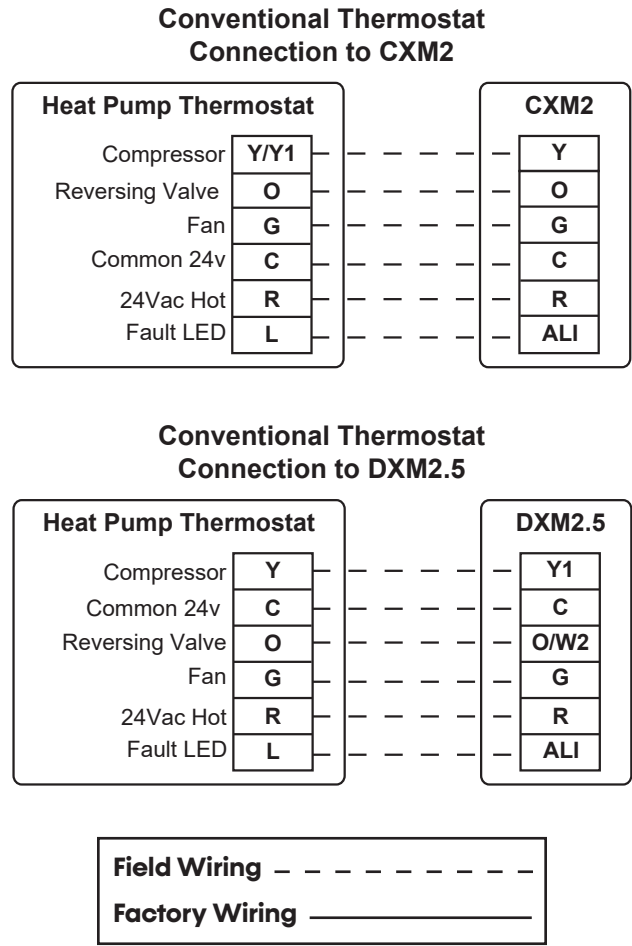
The thermostat should be located on an interior wall in a larger room, away from supply duct drafts. DO NOT locate the thermostat in areas subject to sunlight, drafts or on external walls. The wire access hole behind the thermostat may in certain cases need to be sealed to prevent erroneous temperature measurement.

Position the thermostat back plate against the wall so that it appears level and so the thermostat wires protrude through the middle of the back plate.

Mark the position of the back plate mounting holes and drill holes with a 3/16-inch (5 mm) bit. Install supplied anchors and secure plate to the wall. Thermostat wire must be 18 AWG wire.

Representative thermostat wiring is shown in Figure 21 however, actual wiring connections should be determined from the thermostat IOM and or unit wiring diagram. Practically any heat pump thermostat will work with heat pump units, provided it has the correct number of heating and cooling stages.

Figure 21: Units with PSC, CT EC, and CV EC Blower Motors



Blower Performance MC*006

Models:
MC
006-060

Model	Rated CFM	Min CFM	Motor Type	Speed Tap		External Static Pressure (in. wg)														
						0.1	0.2	0.3	0.4	0.5	0.6	0.7	0.8	0.9	1.0					
MC006	275	150	PSC	Low	Power (W)	72	69	65	61	57	Operation Not Recommended									
					CFM	238	218	196	170	142										
				Medium	Power (W)	81	77	73	68	63						58				
					CFM	261	242	220	193	163						129				
				High	Power (W)	103	98	93	88	82						75	68			
					CFM	326	306	282	253	219						181	139			
	275	150	CTEC	1	Power (W)	22	24	25	28	30										
					CFM	225	207	187	169	150										
				2	Power (W)	Operation Not Recommended		34	37	39						42	44	48	51	
					CFM			233	217	201						185	173	164	150	
				3	Power (W)	Operation Not Recommended		43	45	48						51	54	58	61	
					CFM			241	227	212						200	188	179	168	
				4	Power (W)	Operation Not Recommended				55						58	61	65	67	
					CFM					240						227	216	205	193	
	275	150	CV EC	Minimum CFM	Power (W)	16	21	27	40	36						41	46	52	59	
					CFM	150	150	150	150	150						150	150	150		
Default CFM				Power (W)	29	35	41	47	53	60	67	76	81	77						
				CFM	225	225	225	225	225	225	225	225	225	255						
Maximum CFM				Power (W)	35	41	47	53	60	67	76	84	88	78						
				CFM	250	250	250	250	250	250	250	250	250	250						

- Blower performance data is based on the lowest nameplate voltage setting.
- Blower performance is based on a wet coil with clean 1-inch filter.
- Blower performance is based on operating conditions of 80°F DB and 67°F WB.
- CFM Tolerance is ±7%.
- Cells in grey - option not available.
- The maximum allowable altitude of installation for this product is 6,561 ft (2,000 m).

Models:
MC
006-060

Blower Performance MC*009

Model	Rated CFM	Min CFM	Motor Type	Speed Tap		External Static Pressure (in. wg)																																																								
						0.1	0.2	0.3	0.4	0.5	0.6	0.7	0.8	0.9	1.0																																															
MC009	345	225	PSC	Low	Power (W)	Operation Not Recommended																																																								
					CFM											340	322	300	260																																											
				Medium	Power (W)											Operation Not Recommended																																														
					CFM																					390	360	320	290	260																																
				High	Power (W)																					Operation Not Recommended																																				
					CFM																															410	380	350	320	280																						
	345	225	CT EC	1	Power (W)																															40	42	44	47	49	Operation Not Recommended																					
					CFM																															294	278	259	245	230																						
				2	Power (W)																															67	70	73	74	79						82	85	88	90	85												
					CFM																															370	357	343	326	318						302	291	278	265	235												
				3	Power (W)																															Operation Not Recommended										86	88	91	95	98	101	96	90									
					CFM																																									370	358	346	334	322	307	280	247									
				4	Power (W)																																									Operation Not Recommended							120	113	107	102						
					CFM																																																340	309	276	234						
	345	225	CV EC	Minimum CFM	Power (W)																																																25	32	39	45	53	60	66	78	83	Operation Not Recommended
					CFM																																																225	225	225	225	225	225	225	225	225	
Default CFM				Power (W)	49	58	67	77	88	100	105	95	88																																																	
				CFM	325	325	325	325	325	325	325	325	325																																																	
Maximum CFM				Power (W)	126	134	131	125	119	118	105	98	90																																																	
				CFM	375	375	375	375	375	375	375	375	375																																																	

- Blower performance data is based on the lowest nameplate voltage setting.
- Blower performance is based on a wet coil with clean 1-inch filter.
- Blower performance is based on operating conditions of 80°F DB and 67°F WB.
- CFM Tolerance is ±7%.
- Cells in grey - option not available.
- The maximum allowable altitude of installation for this product is 6,561 ft (2,000 m).

Blower Performance MC*012

Models:
MC
006-060

Model	Rated CFM	Min CFM	Motor Type	Speed Tap		External Static Pressure (in. wg)																													
						0.1	0.2	0.3	0.4	0.5	0.6	0.7	0.8	0.9	1.0																				
MC012	400	300	PSC	Low	Power (W)	Operation Not Recommended																													
					CFM											360	350	320	310																
				Medium	Power (W)																														
					CFM																					420	400	380	360	340					
				High	Power (W)																														
					CFM																														
	400	300	CTEC	1	Power (W)	64	66	69	71	75	78	82	85	87	83																				
					CFM	358	345	332	319	305	291	275	261	247	218																				
				2	Power (W)	86	88	91	94	97	100	103	104	97	91																				
					CFM	400	388	377	365	354	342	328	309	269	237																				
				3	Power (W)	116	119	122	124	126	126	121	114	99	91																				
					CFM	449	437	427	414	401	385	359	327	274	238																				
				4	Power (W)	131	133	135	137	135	130	123	110	99	92																				
					CFM	467	456	444	433	414	390	361	318	273	239																				
	400	300	CV EC	Minimum CFM	Power (W)	55	64	73	81	90	99	107	106																						
CFM					300	300	300	300	300	300	300																								
Default CFM				Power (W)	105	115	125	135	132	127	123	118																							
				CFM	380	380	380	380	380	380	380	380																							
Maximum CFM				Power (W)	147	149	146	143	139	134	130	126	120																						
				CFM	415	415	415	415	415	415	415	415	415																						

- Blower performance data is based on the lowest nameplate voltage setting.
- Blower performance is based on a wet coil with clean 1-inch filter.
- Blower performance is based on operating conditions of 80°F DB and 67°F WB.
- CFM Tolerance is ±7%.
- Cells in grey - option not available.
- The maximum allowable altitude of installation for this product is 6,561 ft (2,000 m).

Models:
MC
006-060

Blower Performance

MC*015

Model	Rated CFM	Min CFM	Motor Type	Speed Tap		External Static Pressure (in. wg)															
						0.1	0.2	0.3	0.4	0.5	0.6	0.7	0.8	0.9	1.0						
MC015	525	375	PSC	Low	Power (W)	161	158	146	138	Operation Not Recommended											
					CFM	503	490	479	439												
				Medium	Power (W)	184	181	174	153											143	
					CFM	595	575	562	510											451	
				High	Power (W)				174											159	141
					CFM				581											510	386
	525	375	CTEC	1	Power (W)	67	55	62	68	75	82										
					CFM	648	588	542	493	441	378										
				2	Power (W)	67	74	81	87	95	102	108									
					CFM	648	608	557	514	460	402	354									
				3	Power (W)	79	86	94	101	107	117	124	130								
					CFM	695	659	611	570	526	475	422	377								
				4	Power (W)	92	98	107	114	121	129	138	145	151							
					CFM	737	705	661	622	582	534	482	438	396							
				5	Power (W)	106	110	117	126	133	141	151	159	165	172						
					CFM	745	745	708	662	626	585	535	488	444	402						
	525	375	CV EC	Minimum CFM	Power (W)					36	52	68	84	99	114	129					
					CFM					375	375	375	375	375	375	375					
				Default CFM	Power (W)					55	74	90	108	127	147	166	186				
					CFM					525	525	525	525	525	525	525	525				
Maximum CFM				Power (W)	54	73	93	112	132	152	173	194	216	238							
				CFM	625	625	625	625	625	625	625	625	625	625	625						

- Blower performance data is based on the lowest nameplate voltage setting.
- Blower performance is based on a wet coil with clean 1-inch filter.
- Blower performance is based on operating conditions of 80°F DB and 67°F WB.
- CFM Tolerance is ±7%.
- Cells in grey - option not available.
- The maximum allowable altitude of installation for this product is 6,561 ft (2,000 m).

Blower Performance MC*018

Models:
MC
006-060

Model	Rated CFM	Min CFM	Motor Type	Speed Tap		External Static Pressure (in. wg)																
						0.1	0.2	0.3	0.4	0.5	0.6	0.7	0.8	0.9	1.0							
MC018	630	450	PSC	Low	Power (W)	147	145	135	127	Operation Not Recommended												
					CFM	524	509	493	451													
				Medium	Power (W)	170	167	161	143													
					CFM	611	588	564	514													
				High	Power (W)	195	189	184	177											149		
					CFM	704	668	643	617											504		
	630	450	CTEC	1	Power (W)	73	78	85	90													
					CFM	600	558	518	491													
				2	Power (W)	92	99	107	109											116	123	131
					CFM	676	641	599	570											536	498	452
				3	Power (W)	112	118	126	135	140	147	155	163	170								
					CFM	741	713	677	640	619	586	554	512	471								
				4	Power (W)	138	144	152	161	170	174	181	190	199	207							
					CFM	802	780	751	714	680	662	633	603	567	529							
				5	Power (W)	170	175	182	190	201	210	214	222	231	240							
					CFM	854	848	820	791	754	724	711	683	655	625							
				630	450	CV EC	Minimum CFM	Power (W)	Operation Not Recommended				93	111	132	157	180					
								CFM	450	450	450	450	450									
	Default CFM	Power (W)	85				101	113	145	178	206	228	248	266								
		CFM	600				600	600	600	600	600	600	600	600								
Maximum CFM	Power (W)	157	171				186	200	214	251	286	323										
	CFM	750	750				750	750	750	750	750	750										

- Blower performance data is based on the lowest nameplate voltage setting.
- Blower performance is based on a wet coil with clean 1-inch filter.
- Blower performance is based on operating conditions of 80°F DB and 67°F WB.
- CFM Tolerance is ±7%.
- Cells in grey - option not available.
- The maximum allowable altitude of installation for this product is 6,561 ft (2,000 m).

Models:
MC
006-060

Blower Performance

MC*024

Model	Rated CFM	Min CFM	Motor Type	Speed Tap		External Static Pressure (in. wg)																
						0.1	0.2	0.3	0.4	0.5	0.6	0.7	0.8	0.9	1.0							
MC024	800	600	PSC	Low	Power (W)	224	215	204	191	176	Operation Not Recommended											
					CFM	777	768	737	684	608												
				Medium	Power (W)	257	246	233	219	204						187						
					CFM	888	868	830	774	701						610						
				High	Power (W)	294	281	268	253	237						219						
					CFM	997	964	916	854	777						686						
	800	600	CTEC	1	Power (W)	116	122	128	135	Operation Not Recommended												
					CFM	755	728	695	653													
				2	Power (W)	146	152	159	166							174	185	193				
					CFM	836	810	782	750							708	657	616				
				3	Power (W)	181	187	194	201						209	218	230	239	246	252		
					CFM	910	887	861	834						804	762	714	674	642	619		
				4	Power (W)	232	240	247	254						262	270	278	291	303	312		
					CFM	996	975	952	929						904	876	845	798	755	725		
				5	Power (W)	Operation Not Recommended									323	331	340	348	361	374		
					CFM										999	975	951	923	884	840		
	800	600	CV EC	Minimum CFM	Power (W)	71	89	107	124	141	159	177	195	213	230							
					CFM	600	600	600	600	600	600	600	600	600	600							
				Default CFM	Power (W)	145	165	185	205	225	245	266	285	306	326							
					CFM	800	800	800	800	800	800	800	800	800	800							
Maximum CFM				Power (W)	284	300	315	332	351	364	379	396	412	428								
				CFM	1,000	1,000	1,000	1,000	1,000	1,000	1,000	1,000	1,000	1,000								

- Blower performance data is based on the lowest nameplate voltage setting.
- Blower performance is based on a wet coil with clean 1-inch filter.
- Blower performance is based on operating conditions of 80°F DB and 67°F WB.
- CFM Tolerance is ±7%.
- Cells in grey - option not available.
- The maximum allowable altitude of installation for this product is 6,561 ft (2,000 m).

Blower Performance MC*030

Models:
MC
006-060

Model	Rated CFM	Min CFM	Motor Type	Speed Tap		External Static Pressure (in. wg)																		
						0.1	0.2	0.3	0.4	0.5	0.6	0.7	0.8	0.9	1.0									
MC030	1,000	750	PSC	Low	Power (W)	305	290	274	256	236	Operation Not Recommended													
					CFM	916	911	883	833	761														
				Medium	Power (W)	338	323	306	288	268						246								
					CFM	1,021	1,014	983	929	850						747								
				High	Power (W)	384	372	357	340	322						301								
					CFM	1,084	1,076	1,044	988	906						800								
	1,000	750	CTEC	1	Power (W)	158	165	176	184	192						Operation Not Recommended								
					CFM	904	873	832	796	763														
				2	Power (W)	211	219	227	240	250											258	267	276	285
					CFM	1,020	992	965	927	894											864	835	805	771
				3	Power (W)	280	289	298	306	321	330	342	351	361	368									
					CFM	1,139	1,113	1,089	1,064	1,027	999	966	937	910	879									
				4	Power (W)	336	346	355	364	374	389	399	413	423	430									
					CFM	1,216	1,193	1,168	1,146	1,123	1,086	1,062	1,028	1,002	975									
				5	Power (W)				452	462	471	490	499	508	478									
					CFM				1,250	1,229	1,208	1,173	1,151	1,112	1,036									
				1,000	750	CV EC	Minimum CFM	Power (W)	71	89	108	127	145	162	181	199	217	235						
								CFM	750	750	750	750	750	750	750	750	750	750						
	Default CFM	Power (W)	251				274	296	315	337	362	387	407	Operation Not Recommended										
		CFM	1,000				1,000	1,000	1,000	1,000	1,000	1,000	1,000											
Maximum CFM	Power (W)	388	410				431	453	471															
	CFM	1,150	1,150				1,150	1,150	1,150															

- Blower performance data is based on the lowest nameplate voltage setting.
- Blower performance is based on a wet coil with clean 1-inch filter.
- Blower performance is based on operating conditions of 80°F DB and 67°F WB.
- CFM Tolerance is ±7%.
- Cells in grey - option not available.
- The maximum allowable altitude of installation for this product is 6,561 ft (2,000 m).

Models:
MC
006-060

Blower Performance

MC*036

Model	Rated CFM	Min CFM	Motor Type	Speed Tap		External Static Pressure (in. wg)										
						0.1	0.2	0.3	0.4	0.5	0.6	0.7	0.8	0.9	1.0	
MC036	1,150	900	PSC	Low	Power (W)	Operation Not Recommended										
					CFM											970
				Medium	Power (W)											
					CFM											1,106
				High	Power (W)											
					CFM											1,436
	1,150	900	CTEC	1	Power (W)	166	175	184								
					CFM	974	941	904								
				2	Power (W)	241	251	261	272	282	292	299	307			
					CFM	1,132	1,103	1,074	1,041	1,005	973	944	916			
				3	Power (W)	294	304	316	326	337	349	359	367	375	385	
					CFM	1,271	1,242	1,214	1,185	1,153	1,118	1,083	1,056	1,029	999	
				4	Power (W)	376	387	399	409	421	433	446	457	468	478	
					CFM	1,403	1,377	1,351	1,324	1,295	1,268	1,233	1,201	1,169	1,143	
				5	Power (W)			499	510	523	524	521	519	516	514	
					CFM			1,485	1,460	1,434	1,396	1,347	1,295	1,240	1,194	
	1,150	900	CV EC	Minimum CFM	Power (W)	105	132	164	188	211	233	257	280	307	339	
					CFM	900	900	900	900	900	900	900	900	900	900	
				Default CFM	Power (W)	205	232	261	303	349	382	415	446	475	505	
					CFM	1,150	1,150	1,150	1,150	1,150	1,150	1,150	1,150	1,150	1,150	
Maximum CFM				Power (W)	406	403	438	474	511	564	629	680	692	691		
				CFM	1,500	1,500	1,500	1,500	1,500	1,500	1,500	1,500	1,500	1,500		

- Blower performance data is based on the lowest nameplate voltage setting.
- Blower performance is based on a wet coil with clean 1-inch filter.
- Blower performance is based on operating conditions of 80°F DB and 67°F WB.
- CFM Tolerance is ±7%.
- Cells in grey - option not available.
- The maximum allowable altitude of installation for this product is 6,561 ft (2,000 m).

Blower Performance MC041

Models:
MC
006-060

Model	Rated CFM	Min CFM	Motor Type	Speed Tap		External Static Pressure (in. wg)											
						0.1	0.2	0.3	0.4	0.5	0.6	0.7	0.8	0.9	1.0		
MC041	1,100	850	PSC	Low	Power (W)	291	268	Operation Not Recommended									
					CFM	876	810										
				Medium	Power (W)	359	355									337	
					CFM	1017	963									887	
				High	Power (W)	392	369									347	325
					CFM	1071	993									906	809

- Blower performance data is based on the lowest nameplate voltage setting.
- Blower performance is based on a wet coil with clean 1-inch filter.
- Blower performance is based on operating conditions of 80°F DB and 67°F WB.
- CFM Tolerance is ±7%.
- Cells in grey - option not available.
- The maximum allowable altitude of installation for this product is 6,561 ft (2,000 m).

Models:
MC
006-060

Blower Performance

MC*042

Model	Rated CFM	Min CFM	Motor Type	Speed Tap		External Static Pressure (in. wg)																
						0.1	0.2	0.3	0.4	0.5	0.6	0.7	0.8	0.9	1.0							
MC042	1,350	1,050	PSC	Low	Power (W)	388	Operation Not Recommended															
					CFM	918																
				Medium	Power (W)	517											509	496	477	452	422	
					CFM	1,201											1,223	1,218	1,185	1,125	1,038	
				High	Power (W)	665											654	636	611	580	542	498
					CFM	1,584											1,592	1,571	1,518	1,436	1,323	1,180
	1,350	1,050	CTEC	1	Power (W)	238	248	259	272													
					CFM	1,186	1,152	1,113	1,056													
				2	Power (W)	331	369	352	365	381	396	411	423	437	446							
					CFM	1,345	1,317	1,283	1,251	1,215	1,181	1,150	1,124	1,094	1,050							
				3	Power (W)	448	461	474	486	501	518	534	551	568	581							
					CFM	1,507	1,482	1,455	1,427	1,396	1,365	1,331	1,296	1,276	1,246							
				4	Power (W)	582	595	609	622	635	651	669	688	706	681							
					CFM	1,641	1,623	1,601	1,577	1,548	1,519	1,488	1,455	1,423	1,355							
				5	Power (W)			756	775	776	774	772	768	765	679							
					CFM			1,743	1,717	1,688	1,645	1,596	1,541	1,490	1,352							
				1,350	1,050	CV EC	Minimum CFM	Power (W)	154	177	200	224	252	280	306	331	355	383				
								CFM	1,050	1,050	1,050	1,050	1,050	1,050	1,050	1,050	1,050	1,050				
Default CFM	Power (W)	334	359				390	421	453	484	517	555	595	636								
	CFM	1,400	1,400				1,400	1,400	1,400	1,400	1,400	1,400	1,400	1,400								
Maximum CFM	Power (W)	658	674				703	700	697	Operation Not Recommended												
	CFM	1,750	1,750				1,750	1,750	1,750													

- Blower performance data is based on the lowest nameplate voltage setting.
- Blower performance is based on a wet coil with clean 1-inch filter.
- Blower performance is based on operating conditions of 80°F DB and 67°F WB.
- CFM Tolerance is ±7%.
- Cells in grey - option not available.
- The maximum allowable altitude of installation for this product is 6,561 ft (2,000 m).

Blower Performance MC*048

Models:
MC
006-060

Model	Rated CFM	Min CFM	Motor Type	Speed Tap		External Static Pressure (in. wg)																	
						0.1	0.2	0.3	0.4	0.5	0.6	0.7	0.8	0.9	1.0								
MC048	1,550	1,200	PSC	Low	Power (W)	608	585	559	531	499	Operation Not Recommended												
					CFM	1,512	1,487	1,440	1,371	1,280													
				Medium	Power (W)	680	652	622	588	552						513							
					CFM	1,670	1,639	1,584	1,507	1,406						1,281							
				High	Power (W)	780	746	709	669	625						579	529						
					CFM	1,885	1,841	1,772	1,678	1,560						1,416	1,248						
	1,550	1,200	CTEC	1	Power (W)	286	303	320	336	351													
					CFM	1,482	1,411	1,342	1,276	1,211													
				2	Power (W)	360	379	397	415	433						450	467						
					CFM	1,604	1,553	1,500	1,444	1,385						1,323	1,258						
				3	Power (W)	457	472	488	505	525						546	569						
					CFM	1,753	1,707	1,659	1,607	1,553						1,495	1,435						
				4	Power (W)	626	642	658	673	687						701							
					CFM	1,984	1,937	1,890	1,843	1,795						1,747							
				5	Power (W)				805	829													
					CFM				1,980	1,938													
				1,550	1,200	CV EC	Minimum CFM	Power (W)	240	132						163	293	342	309	280	395	401	453
								CFM	1,200	1,200						1,200	1,200	1,200	1,200	1,200	1,200	1,200	1,200
	Default CFM	Power (W)	445				251	294	500	570						498	438	617	602	672			
		CFM	1,550				1,550	1,550	1,550	1,550						1,550	1,550	1,550	1,550	1,550			
	Maximum CFM	Power (W)	723				418	474	780	873						761	644	912	853	939			
CFM		1,900	1,900				1,900	1,900	1,900	1,900	1,900	1,900	1,900	1,900									

- Blower performance data is based on the lowest nameplate voltage setting.
- Blower performance is based on a wet coil with clean 1-inch filter.
- Blower performance is based on operating conditions of 80°F DB and 67°F WB.
- CFM Tolerance is ±7%.
- Cells in grey - option not available.
- The maximum allowable altitude of installation for this product is 6,561 ft (2,000 m).

Models:
MC
006-060

Blower Performance

MC*060

Model	Rated CFM	Min CFM	Motor Type	Speed Tap		External Static Pressure (in. wg)																			
						0.1	0.2	0.3	0.4	0.5	0.6	0.7	0.8	0.9	1.0										
MC060	2,000	1,500	PSC	Low	Power (W)	779	766	750	731	710	686	659	Operation Not Recommended												
					CFM	1,771	1,756	1,732	1,700	1,658	1,608	1,549													
				Medium	Power (W)	877	856	833	806	777	744	708					669								
					CFM	1,979	1,968	1,940	1,894	1,831	1,751	1,653					1,539								
				High	Power (W)	996	969	938	904	867	826	783					736	687							
					CFM	2,208	2,178	2,132	2,069	1,990	1,893	1,780					1,649	1,502							
	2,000	1,500	CTEC	1	Power (W)	342	354	366	380	Operation Not Recommended															
					CFM	1,685	1,640	1,593	1,545																
				2	Power (W)	460	476	489	501								518	533	548	561	577				
					CFM	1,879	1,833	1,795	1,754								1,705	1,657	1,608	1,563	1,514				
				3	Power (W)	648	666	678	694								708	724	740	757	773				
					CFM	2,113	2,069	2,039	1,998								1,963	1,925	1,885	1,840	1,795				
				4	Power (W)	771	785	803	817								832	848	864	883	900				
					CFM	2,235	2,198	2,163	2,130								2,094	2,061	2,019	1,977	1,939				
				5	Power (W)	866	881	899	916								934	951	970	977	973	969			
					CFM	2,322	2,290	2,253	2,219								2,188	2,152	2,120	2,083	2,013	1,940			
	2,000	1,500	CV EC	Minimum CFM	Power (W)	246	301	354	405								453	500	544	587	627	665			
					CFM	1,500	1,500	1,500	1,500								1,500	1,500	1,500	1,500	1,500	1,500			
				Default CFM	Power (W)	503	564	631	686								734	808	875	929	990	1,051			
					CFM	2,000	2,000	2,000	2,000								2,000	2,000	2,000	2,000	2,000	2,000			
Maximum CFM				Power (W)	885	896	901	916	937							Operation Not Recommended									
				CFM	2,200	2,200	2,200	2,200	2,200																

- Blower performance data is based on the lowest nameplate voltage setting.
- Blower performance is based on a wet coil with clean 1-inch filter.
- Blower performance is based on operating conditions of 80°F DB and 67°F WB.
- CFM Tolerance is ±7%.
- Cells in grey - option not available.
- The maximum allowable altitude of installation for this product is 6,561 ft (2,000 m).

Constant Volume CV EC Blower Motor Limits

Models:
MC
006-060

CV EC ADVANTAGE

A major benefit of the CV EC motor over other blower motor types is its ability to adjust airflow directly at the unit with a communicating diagnostic service tool. Airflow levels can be adjusted in increments of 25 CFM from the unit's minimum and maximum CFM range (see the CV EC motor configuration table for details).

Table 5: CV EC Blower Motor Limits

Size	Max ESP (in. wg)	Fan Motor (hp)	Airflow Range	Cooling Mode	Heating Mode	Dehumid Mode	Fan Only
6	0.9	1/8	Minimum	150	150	150	150
	1.0		Default	275	275	150	275
	1.0		Maximum	275	275	225	275
9	0.9	1/8	Minimum	225	225	225	225
	0.9		Default	345	345	225	345
	0.9		Maximum	375	375	325	375
12	0.8	1/4	Minimum	300	300	300	300
	0.8		Default	400	400	300	400
	0.9		Maximum	415	415	380	415
15	0.8	1/3	Minimum	375	375	375	375
	1.0		Default	525	525	375	525
	1.0		Maximum	625	625	600	625
18	0.8	1/3	Minimum	450	450	450	450
	0.9		Default	630	630	450	630
	0.9		Maximum	750	750	600	750
24	0.75	1/2	Minimum	600	600	600	300
			Default	750	750	650	350
			Maximum	850	850	800	850
30	0.5	1/2	Minimum	750	750	750	375
			Default	925	925	800	425
			Maximum	1,050	1,050	1,000	1,050
36	0.6	3/4	Minimum	900	900	900	450
			Default	1,125	1,125	975	525
			Maximum	1,275	1,275	1,200	1,275
42	0.6	3/4	Minimum	1,050	1,050	1,050	525
			Default	1,300	1,300	1,125	600
			Maximum	1,475	1,475	1,400	1,475
48	0.6	3/4	Minimum	1,200	1,200	1,200	600
			Default	1,500	1,500	1,300	700
			Maximum	1,700	1,700	1,600	1,700
60	0.75	1	Minimum	1,500	1,500	1,500	750
			Default	1,875	1,875	1,625	875
			Maximum	2,125	2,125	2,000	2,125

- Airflow is controlled within ±5% up to Max ESP shown with wet coil and standard 1-inch fiberglass air filter.
- Performance shown is with wet coil and factory air filters.

Models:
MC
006-060

Controls: CXM2 and DXM2.5



CXM2 Communicating Controls

For detailed controller information, see the CXM2 Application, Operation, and Maintenance (AOM) manual (part # 97B0137N01). To confirm the controller type of your particular unit, refer to digit 9 on the unit model number and the unit nomenclature diagram found on page 3 of this manual.



DXM2.5 Advanced Communicating Controls

For detailed controller information, see the DXM2.5 Application, Operation, and Maintenance (AOM) manual (part # 97B0142N01). To confirm the controller type of your particular unit, refer to digit 9 on the unit model number and the unit nomenclature diagram found on page 3 of this manual.

Operating and Commissioning Limits

OPERATING LIMITS

Environment – Units are designed for indoor installation only. Never install units in areas subject to freezing or where humidity levels could cause cabinet condensation (such as unconditioned spaces subject to 100% outside air).

Power Supply – Voltage utilization shall comply with AHRI Standard 110 or values provided in the electrical data tables.

Determination of operating limits is dependent primarily upon three factors: 1) return air temperature. 2) water temperature, and 3) ambient temperature. When any one of these factors is at minimum or maximum levels, the other two factors should be at normal levels to ensure proper unit operation. Extreme variations in temperature and humidity and/or corrosive water or air will adversely affect unit performance, reliability, and service life.

Table 6: Operating Limits

Operating Limits	Cooling	Heating
Air Limits		
Min. ambient air, DB	*10°F [-12°C]	*10°F [-12°C]
Max. ambient air, DB	130°F [54.4°C]	130°F [54.4°C]
Min. entering air, DB/WB	65/45°F [18/7°C]	50°F [10°C]
Max. entering air, DB/WB	90/72°F [32/22°C]	80°F [27°C]
Min/Max Airflow (CFM/Ton)	**300 to 500 CFM/Ton	
Water Limits		
Min. entering water	***30°F [-1°C]	20°F [-6.7°C]
Max. entering water	120°F [49°C]	90°F [32°C]
Water Flow Range	1.5 to 3.0 GPM/ton [1.6 to 3.2 l/m per kW]****	

Notes:
 *To prevent unit damage, the water loop should contain antifreeze to prevent freezing when not in operation.
 ** Refer to specific blower tables for each model size
 ***With unit flow-control automation.
 **** Unless specified different on performance table for any model size

Unit Maximum Water Working Pressure

Options	Max Pressure PSIG [kPa]
Base Unit	300 [2,068]

COMMISSIONING CONDITIONS

Starting conditions vary depending upon model and are based upon the following notes:

NOTES:

1. Commissioning Conditions are not normal or continuous operating conditions. Minimum/maximum limits are startup conditions to bring the building space up to occupancy temperatures. Units are not designed to operate under these conditions on a regular basis.
2. Voltage utilization range complies with AHRI Standard 110.

Table 7: Commissioning Conditions

Commissioning Conditions	Cooling	Heating
Air Limits		
Min. ambient air, DB	*10°F [-12°C]	*10°F [-12°C]
Max. ambient air, DB	130°F [54.4°C]	130°F [54.4°C]
Min. entering air, DB/WB	65/45°F [18/7°C]	240°F [4.4°C]
Max. entering air, DB/WB	¹ 100/75°F [38/24°C]	80°F [27°C]
Min/Max Airflow (CFM/Ton)	**300 to 500 CFM/Ton	
Water Limits		
Min. entering water	***20°F [-6.7°C]	20°F [-6.7°C]
Max. entering water	120°F [49°C]	90°F [32°C]
Water Flow Range	1.5 to 3.0 GPM/ton [1.6 to 3.2 l/m per kW]****	

Notes:
 *To prevent unit damage, the water loop should contain antifreeze to prevent freezing when not in operation.
 ** Refer to specific blower tables for each model size
 ***With unit flow-control automation.
 **** Unless specified different on performance table for any model size
 1. Commission units for cooling at entering air temperatures of 100/75°F (38/24°C) only at rated water flow or 3 GPM/ton.
 2. Commission units for heating at entering air temperature of 40°F (4.4°C) only at rated water flow or 3 GPM/ton.

Piping System Cleaning and Flushing

PIPING SYSTEM CLEANING AND FLUSHING

Cleaning and flushing the WLHP piping system is the single most important step to ensure proper startup and continued efficient operation of the system.

Follow the instructions below to properly clean and flush the system:

1. Ensure that electrical power to the unit is disconnected.
2. Install the system with the supply hose connected directly to the return riser valve. Use a single length of flexible hose.
3. Open all air vents. Fill the system with water. DO NOT allow system to overflow. Bleed all air from the system. Pressurize and check the system for leaks and repair as appropriate.
4. Verify that all strainers are in place. A strainer with a #20 stainless steel wire mesh is recommended. Start the pumps, and systematically check each vent to ensure that all air is bled from the system.
5. Verify that make-up water is available. Adjust make-up water as required to replace the air which was bled from the system. Check and adjust the water/air level in the expansion tank.
6. Set the boiler to raise the loop temperature to approximately 85°F (29°C). Open a drain at the lowest point in the system. Adjust the make-up water replacement rate to equal the rate of bleed.
7. Refill the system and add trisodium phosphate in a proportion of approximately one pound per 150 gallons (0.8 kg per 1000 l) of water (or other equivalent approved cleaning agent). Reset the boiler to raise the loop temperature to 100°F (38°C). Circulate the solution for a minimum of 8 to 24 hours. At the end of this period, shut off the circulating pump and drain the solution. Repeat system cleaning if desired.
8. When the cleaning process is complete, remove the short-circuited hoses. Reconnect the hoses to the proper supply, and return the connections to each of the units. Refill the system and bleed off all air.
9. Test the system pH with litmus paper. The system water should be in the range of pH 6.0 - 8.5 (see the Water Quality Requirements Table). Add chemicals, as appropriate to maintain neutral pH levels.
10. When the system is successfully cleaned, flushed, refilled and bled, check the main system panels, safety cutouts and alarms. Set the controls to properly maintain loop temperatures.

CAUTION

DO NOT use "Stop Leak" or similar chemical agent in this system. Addition of chemicals of this type to the loop water will foul the heat exchanger and inhibit unit operation.

NOTE: The manufacturer strongly recommends all piping connections, both internal and external to the unit, be pressure tested by an appropriate method prior to any finishing of the interior space or before access to all connections is limited. Test pressure may not exceed the maximum allowable pressure for the unit and all components within the water system. The manufacturer will not be responsible or liable for damages from water leaks due to inadequate or lack of a pressurized leak test, or damages caused by exceeding the maximum pressure rating during installation.

Unit and System Checkout

⚠ WARNING

Polyolester Oil, commonly known as POE oil, is a synthetic oil used in many refrigeration systems including those with R-454B refrigerant. POE oil, if it ever comes in contact with PVC or CPVC piping, may cause failure of the PVC/CPVC. PVC/CPVC piping should never be used as supply or return water piping with water source heat pump products containing R-454B as system failures and property damage may result.

UNIT AND SYSTEM CHECKOUT

BEFORE POWERING SYSTEM, please check the following:

UNIT FEATURES

- ❑ **Balancing/shutoff valves:** Ensure that all isolation valves are open and water control valves are wired.
- ❑ **Line voltage and wiring:** Verify that voltage is within an acceptable range for the unit and wiring and fuses/breakers are properly sized. Verify that low voltage wiring is complete.
- ❑ **Unit control transformer:** Ensure that transformer has the properly selected voltage tap.
- ❑ **Entering water and air:** Ensure that entering water and air temperatures are within operating limits of Table 7 and Table 8.
- ❑ **Low water temperature cutout:** Verify that low water temperature cut-out on the CXM2/DXM2.5 control is properly set.
- ❑ **Unit fan:** Manually rotate fan to verify free rotation and ensure that blower wheel is secured to the motor shaft. Be sure to remove any shipping supports if needed. DO NOT oil motors upon startup. Fan motors are pre-oiled at the factory. Check unit fan speed selection and compare to design requirements.
- ❑ **Condensate line:** Verify that condensate line is open and properly pitched toward drain.
- ❑ **Water flow balancing:** Record inlet and outlet water temperatures for each heat pump upon startup. This check can eliminate nuisance trip outs and high velocity water flow that could erode heat exchangers.
- ❑ **Unit air coil and filters:** Ensure that filter is clean and accessible. Clean air coil of all manufacturing oils.
- ❑ **Unit controls:** Verify that CXM2 or DXM2.5 field selection options are properly set.

SYSTEM CHECKOUT

- ❑ **System water temperature:** Check water temperature for proper range and also verify heating and cooling set points for proper operation.
- ❑ **System pH:** Check and adjust water pH if necessary to maintain a level between 6 and 8.5. Proper pH promotes longevity of hoses and fittings (see Table 4).
- ❑ **System flushing:** Verify that all hoses are connected end to end when flushing to ensure that debris bypasses the unit heat exchanger, water valves and other components. Water used in the system must be potable quality initially and clean of dirt, piping slag, and strong chemical cleaning agents. Verify that all air is purged from the system. Air in the system can cause poor operation or system corrosion.
- ❑ **Cooling tower/boiler:** Check equipment for proper setpoints and operation.
- ❑ **Standby pumps:** Verify that the standby pump is properly installed and in operating condition.
- ❑ **System controls:** Verify that system controls function and operate in the proper sequence.
- ❑ **Low water temperature cutout:** Verify that low water temperature cut-out controls are provided for the outdoor portion of the loop. Otherwise, operating problems may occur.
- ❑ **System control center:** Verify that the control center and alarm panel have appropriate setpoints and are operating as designed.
- ❑ **Miscellaneous:** Note any questionable aspects of the installation.

⚠ CAUTION

Verify that ALL water control valves are open and allow water flow prior to engaging the compressor. Freezing of the coax or water lines can permanently damage the heat pump.

⚠ CAUTION

To avoid equipment damage, DO NOT leave system filled in a building without heat during the winter unless antifreeze is added to the water loop. Heat exchangers never fully drain by themselves and will freeze unless winterized with antifreeze.

Unit Startup Procedure

UNIT STARTUP PROCEDURE

1. Turn the thermostat fan position to "ON". The blower should start.
2. Balance air flow at diffusers.
3. Adjust all valves to their full open positions. Turn on the line power to all heat pumps.
4. Room temperature should be within the minimum-maximum ranges of the Operating Limits and Commissioning Condition tables during startup checks, loop water temperature entering the heat pump should be between 60°F (16°C) and 95°F (35°C).
5. Two factors determine the operating limits of water-source heat pumps, (a) return air temperature, and (b) water temperature. When any one of these factors is at a minimum or maximum level, the other factor must be at normal level to ensure proper unit operation.
 - a. Adjust the unit thermostat to the warmest setting. Place the thermostat mode switch in the "COOL" position. Slowly reduce thermostat setting until the compressor activates.
 - b. Check for cool air delivery at the unit grille within a few minutes after the unit has begun to operate.

NOTE: Units have a five minute time delay in the control circuit that can be eliminated on the CXM2/DXM2.5 as shown in the Test Mode Button figure. See controls description for details.

 - c. Run the unit for 15 minutes before recording performance data in the Startup Log Sheet.
 - d. Verify that the compressor is on and that the water flow rate is correct by measuring pressure drop through the heat exchanger using the P/T plugs and comparing to the Coax Water Pressure Drop table.
 - e. Check the elevation and cleanliness of the condensate lines. Dripping may be a sign of a blocked line. Check that the condensate trap is filled to provide a water seal.
- f. Refer to the Typical Unit Operating Pressures and Temperatures tables. Check the temperature of both entering and leaving water. If temperature is within range, proceed with the test. Heat of rejection (HR) can be calculated and compared to submittal data capacity pages. The formula for HR for systems with water is as follows: $HR \text{ (Btuh)} = TD \times GPM \times 500$, where TD is the temperature difference between the entering and leaving water, and GPM is the flow rate in U.S. GPM, determined by comparing the pressure drop across the heat exchanger to the Coax Water Pressure Drop table. In S-I units, the formula is as follows:

$$HR \text{ (kW)} = TD \times l/s \times 4.18.$$
- g. Check air temperature drop across the air coil when compressor is operating. Air temperature drop should be between 15°F and 25°F (8°C and 14°C).
- h. Turn thermostat to "OFF" position. A hissing noise indicates proper functioning of the reversing valve.
6. Allow five (5) minutes between tests for pressure to equalize before beginning heating test.
 - a. Adjust the thermostat to the lowest setting. Place the thermostat mode switch in the "HEAT" position.
 - b. Slowly raise the thermostat to a higher temperature until the compressor activates.
 - c. Check for warm air delivery within a few minutes after the unit begins to operate.
 - d. Run the unit for 15 minutes before recording performance data in the Startup Log Sheet.
 - e. Refer to the Typical Unit Operating Pressures and Temperatures tables. Check the temperature of both entering and leaving water. If temperature is within range, proceed with the test. If temperature is outside of the operating range, check refrigerant pressures. Heat of extraction (HE) can be calculated and compared to submittal data capacity pages. The formula for HE for systems with water is as follows:

Unit Startup Procedure

$$HE (kW) = TD \times GPM \times 500$$

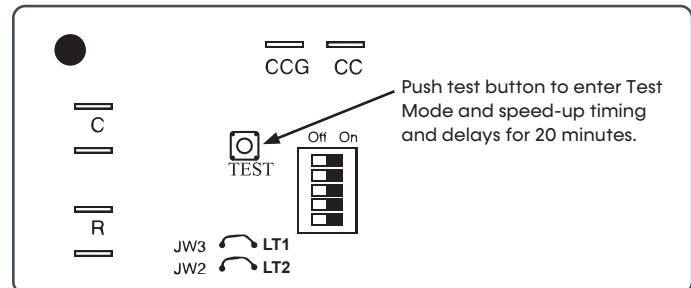
where TD is the temperature difference between the entering and leaving water, and l/s is the flow rate in U.S. GPM, determined by comparing the pressure drop across the heat exchanger to the Coax Water Pressure Drop table. In S-I units, the formula is as follows:

$$HE (kW) = TD \times l/s \times 4.18$$

- f. Check air temperature rise across the air coil when compressor is operating. Air temperature rise should be between 20°F and 30°F (11°C and 17°C).
 - g. Check for vibration, noise, and water leaks.
7. If the unit fails to operate, perform troubleshooting analysis (see Functional Troubleshooting). If the check procedure described fails to reveal the problem, and the unit still does not operate, contact a trained service technician to ensure proper diagnosis and repair of the equipment.
 8. When testing is complete, set the system to maintain the desired comfort level.

NOTE: If performance during any mode appears abnormal, refer to the CXM2/DXM2.5 section or troubleshooting section of this manual. To obtain maximum performance, the air coil should be cleaned before startup. A 10% solution of dishwasher detergent and water is recommended.

Figure 22: Test Mode Button



WARNING

When the disconnect switch is closed, high voltage is present in some areas of the electrical panel. Exercise caution when working with energized equipment.

CAUTION

Verify that ALL water control valves are open and allow water flow prior to engaging the compressor. Freezing of the coax or water lines can permanently damage the heat pump.

CAUTION

Many units are installed with a factory or field supplied manual or electric shut-off valve. **DAMAGE WILL OCCUR** if shut-off valve is closed during unit operation. A high pressure switch must be installed on the heat pump side of any field provided shut-off valves and connected to the heat pump controls in series with the built-in refrigerant circuit high pressure switch to disable compressor operation if water pressure exceeds pressure switch setting. The field installed high pressure switch shall have a cut-out pressure of 300 psig and a cut-in pressure of 250 psig.

Models:
MC
006-060

Unit Operating Conditions

Table 9: MC Coax Water Pressure Drop

Model	U.S. GPM	l/s	Pressure Drop, psi [kPa]				
			30°F [-1°C]	50°F [10°C]	70°F [21°C]	90°F [32°C]	110°F [43°F]
MC006	1.00	0.06	1.5	1.1	1.0	0.9	0.9
	1.50	0.09	2.7	2.0	1.7	1.6	1.5
	2.00	0.13	3.8	2.9	2.4	2.2	2.1
MC009	1.30	0.08	1.9	1.4	1.2	1.2	1.1
	1.90	0.12	3.5	2.5	2.2	2.2	2.1
	2.50	0.16	5.0	3.6	3.1	3.1	3.0
MC012	1.50	0.09	2.7	2.0	1.7	1.5	1.3
	2.30	0.15	5.6	4.2	3.4	3.1	2.8
	3.00	0.19	8.5	6.4	5.2	4.7	4.3
MC015	1.90	0.12	1.8	1.3	1.1	1.1	1.0
	2.80	0.18	3.1	2.3	2.0	1.9	1.8
	3.80	0.24	4.4	3.3	2.9	2.8	2.6
MC018	2.30	0.15	2.7	2.2	2.0	1.8	1.7
	3.40	0.21	5.2	4.1	3.5	3.3	3.2
	4.50	0.28	7.7	5.9	5.1	4.9	4.6
MC024	2.20	0.14	0.8	0.5	0.4	0.3	0.3
	3.00	0.19	1.3	0.8	0.6	0.6	0.5
	4.50	0.28	2.4	1.6	1.3	1.2	1.1
	6.00	0.38	3.5	2.5	2.1	2.0	1.8
MC030	2.80	0.18	1.1	0.6	0.4	0.4	0.3
	3.80	0.24	1.8	1.0	0.8	0.7	0.7
	5.60	0.35	3.3	2.1	1.7	1.6	1.4
	7.50	0.47	4.8	3.3	2.8	2.7	2.5
MC036	3.40	0.21	1.0	0.7	0.6	0.6	0.6
	4.50	0.28	1.6	1.1	1.0	0.9	0.9
	6.80	0.43	3.0	2.0	1.7	1.7	1.6
	9.00	0.57	4.4	3.3	2.8	2.7	2.6
MC042	4.25	0.27	0.9	0.8	0.8	0.8	0.7
	5.25	0.33	1.4	1.2	1.1	1.1	1.0
	7.90	0.50	2.7	2.3	2.1	2.1	1.9
	10.50	0.66	4.3	3.7	3.5	3.3	3.1
MC048	4.20	0.26	0.6	0.6	0.7	0.7	0.5
	6.00	0.38	1.4	1.2	1.1	1.0	1.0
	9.00	0.57	3.0	2.6	2.3	2.1	2.0
	12.00	0.76	4.9	4.4	4.0	3.6	3.3
MC060	5.25	0.33	1.6	1.3	1.1	1.0	1.0
	7.50	0.47	2.6	2.3	2.0	1.9	1.7
	11.25	0.71	5.1	4.4	4.0	3.7	3.4
	15.00	0.95	8.2	7.2	6.5	6.1	5.6
MC041	5.0	0.32	1.3	0.8	0.6	0.5	0.3
	7.5	0.47	2.4	1.8	1.6	1.4	1.3
	10.0	0.63	3.5	2.7	2.5	2.3	2.2

*Based on 20% methanol antifreeze solution.

Unit Operating Conditions

Operating Pressure/Temperature tables include the following notes:

- Airflow is at nominal (rated) conditions
- Entering air is based upon 70°F (21°C) DB in heating and 80/67°F (27/19°C) in cooling
- Subcooling is based upon head pressure at compressor service port
- Cooling air and water values can vary greatly with changes in humidity level

Table 10: MC Series Typical Unit Operating Pressures and Temperatures

MC006		Cooling						Heating					
Entering Water Temp °F	Water Flow GPM	Discharge Pressure PSIG	Suction Pressure PSIG	Superheat °F	Subcooling °F	Water Temp Rise °F	Air Temp Drop °F DB	Discharge Pressure PSIG	Suction Pressure PSIG	Superheat °F	Subcooling °F	Water Temp Rise °F	Air Temp Drop °F DB
30*	2.0	120-140	114-124	19-23	5-9	8-10	15-21	290-310	73-83	4-8	12-16	3-5	14-20
	1.5	132-152	118-128	15-19	7-11	13-15	16-22	288-308	70-80	2-6	13-17	4-6	13-19
	1.0	144-164	122-132	11-15	10-14	18-20	16-22	287-307	68-78	1-5	14-18	6-8	13-19
50	2.0	169-189	121-131	11-15	6-10	8-10	15-21	324-344	107-117	6-10	15-19	4-6	19-25
	1.5	180-200	123-133	10-14	8-12	12-14	15-21	321-341	104-114	5-9	15-19	7-9	19-25
	1.0	191-211	124-134	9-13	10-14	16-18	15-21	318-338	100-110	3-7	16-20	9-11	19-25
70	2.0	232-252	127-137	6-10	8-12	7-9	15-21	359-379	147-157	7-11	15-19	6-8	25-31
	1.5	243-263	128-138	7-11	9-13	11-13	14-20	355-375	142-152	6-10	15-19	9-11	25-31
	1.0	253-273	128-138	7-11	10-14	15-17	14-20	350-370	136-146	5-9	15-19	12-14	24-30
90	2.0	309-329	132-142	5-9	8-12	7-9	13-19	394-414	192-202	7-11	12-16	8-10	32-38
	1.5	319-339	132-142	5-9	9-13	10-12	13-19	388-408	184-194	7-11	13-17	12-14	31-37
	1.0	330-350	132-142	6-10	11-15	14-16	12-18	381-401	175-185	6-10	13-17	15-17	29-35
120	2.0	448-468	137-147	7-11	8-12	5-7	10-16						
	1.5	460-480	138-148	6-10	10-14	9-11	10-16						
	1.0	472-492	139-149	6-10	11-15	12-14	10-16						

*Based on 20% Methanol antifreeze solution

MC009		Cooling						Heating					
Entering Water Temp °F	Water Flow GPM	Discharge Pressure PSIG	Suction Pressure PSIG	Superheat °F	Subcooling °F	Water Temp Rise °F	Air Temp Drop °F DB	Discharge Pressure PSIG	Suction Pressure PSIG	Superheat °F	Subcooling °F	Water Temp Rise °F	Air Temp Drop °F DB
30*	2.5	126-146	114-124	12-16	6-10	9-11	17-23	309-329	71-81	7-11	21-25	3-5	16-22
	1.9	137-157	115-125	11-15	9-13	14-16	17-23	306-326	67-77	8-12	22-26	5-7	16-22
	1.3	148-168	116-126	9-13	11-15	19-21	17-23	303-323	64-74	9-13	22-26	7-9	15-21
50	2.5	177-197	118-128	9-13	7-11	9-11	16-22	345-365	104-114	6-10	21-25	5-7	22-28
	1.9	189-209	119-129	8-12	9-13	13-15	16-22	341-361	99-109	6-10	22-26	7-9	22-28
	1.3	201-221	119-129	7-11	11-15	18-20	16-22	337-357	95-105	6-10	22-26	10-12	21-27
70	2.5	241-261	123-133	6-10	7-11	8-10	15-21	385-405	142-152	7-11	19-23	7-9	29-35
	1.9	254-274	123-133	6-10	8-12	12-14	15-21	379-399	136-146	6-10	20-24	10-12	28-34
	1.3	267-287	124-134	6-10	10-14	17-19	15-21	373-393	129-139	6-10	20-24	13-15	27-33
90	2.5	319-339	128-138	5-9	6-10	7-9	14-20	429-449	186-196	8-12	14-18	9-11	35-41
	1.9	332-352	128-138	5-9	7-11	12-14	14-20	420-440	176-186	8-12	16-20	13-15	33-39
	1.3	346-366	129-139	5-9	8-12	16-18	14-20	411-431	167-177	7-11	17-21	17-19	32-38
120	2.5	460-480	136-146	5-9	4-8	7-9	12-18						
	1.9	474-494	137-147	5-9	4-8	10-12	12-18						
	1.3	488-508	137-147	5-9	4-8	14-16	12-18						

*Based on 20% Methanol antifreeze solution

Models:
MC
006-060

Unit Operating Conditions

MC012		Cooling						Heating					
Entering Water Temp °F	Water Flow GPM	Discharge Pressure PSIG	Suction Pressure PSIG	Superheat °F	Subcooling °F	Water Temp Rise °F	Air Temp Drop °F DB	Discharge Pressure PSIG	Suction Pressure PSIG	Superheat °F	Subcooling °F	Water Temp Rise °F	Air Temp Drop °F DB
30*	3	126-146	108-118	14-18	14-18	10-12	17-23	289-309	70-80	4-8	12-16	4-6	19-25
	2.25	137-157	109-119	12-16	16-20	16-18	17-23	285-305	67-77	3-7	12-16	5-7	18-24
	1.5	148-168	110-120	11-15	18-22	21-23	17-23	282-302	64-74	3-7	12-16	7-9	18-24
50	3	176-196	114-124	9-13	14-18	10-12	16-22	329-349	103-113	5-9	14-18	5-7	25-31
	2.25	189-209	114-124	9-13	16-20	15-17	16-22	324-344	98-108	5-9	14-18	8-10	25-31
	1.5	202-222	115-125	8-12	19-23	20-22	16-22	318-338	94-104	4-8	14-18	11-13	24-30
70	3	240-260	119-129	7-11	13-17	9-11	15-21	370-390	139-149	7-11	14-18	7-9	32-38
	2.25	254-274	119-129	6-10	16-20	14-16	14-20	362-382	133-143	6-10	14-18	11-13	31-37
	1.5	268-288	120-130	6-10	18-22	19-21	14-20	355-375	126-136	6-10	14-18	14-16	30-36
90	3	317-337	124-134	5-9	12-16	8-10	13-19	411-431	178-188	10-14	11-15	9-11	38-44
	2.25	332-352	124-134	5-9	15-19	13-15	13-19	402-422	169-179	9-13	12-16	13-15	37-43
	1.5	347-367	124-134	5-9	17-21	18-20	13-19	393-413	161-171	8-12	12-16	18-20	35-41
120	3	457-477	130-140	5-9	10-14	7-9	11-17						
	2.25	472-492	131-141	5-9	12-16	12-14	11-17						
	1.5	488-508	131-141	5-9	13-17	16-18	10-16						

*Based on 20% Methanol antifreeze solution

MC015		Cooling						Heating					
Entering Water Temp °F	Water Flow GPM	Discharge Pressure PSIG	Suction Pressure PSIG	Superheat °F	Subcooling °F	Water Temp Rise °F	Air Temp Drop °F DB	Discharge Pressure PSIG	Suction Pressure PSIG	Superheat °F	Subcooling °F	Water Temp Rise °F	Air Temp Drop °F DB
30*	3.8	132-152	110-120	14-18	11-15	10-12	18-24	280-300	69-79	10-14	4-8	3-5	16-22
	2.8	142-162	113-123	13-17	13-17	15-17	18-24	277-297	66-76	10-14	4-8	5-7	16-22
	1.9	151-171	115-125	12-16	15-19	20-22	19-25	273-293	63-73	10-14	4-8	7-9	15-21
50	3.8	184-204	118-128	10-14	12-16	10-12	18-24	313-333	101-111	8-12	4-8	5-7	22-28
	2.8	198-218	119-129	9-13	14-18	15-17	18-24	309-329	97-107	8-12	4-8	7-9	22-28
	1.9	211-231	120-130	9-13	16-20	20-22	18-24	305-325	93-103	8-12	4-8	10-12	21-27
70	3.8	250-270	124-134	7-11	12-16	9-11	17-23	348-368	136-146	9-13	3-7	7-9	28-34
	2.8	266-286	125-135	7-11	14-18	14-16	17-23	343-363	130-140	8-12	3-7	10-12	27-33
	1.9	281-301	125-135	6-10	16-20	19-21	17-23	337-357	124-134	8-12	3-7	13-15	26-32
90	3.8	330-350	130-140	5-9	11-15	9-11	16-22	385-405	174-184	11-15	2-6	8-10	34-40
	2.8	346-366	130-140	5-9	13-17	13-15	16-22	377-397	165-175	11-15	2-6	12-14	33-39
	1.9	362-382	130-140	5-9	14-18	18-20	15-21	369-389	157-167	10-14	2-6	16-18	32-38
120	3.8	474-494	137-147	4-8	9-13	8-10	13-19						
	2.8	490-510	137-147	4-8	10-14	12-14	13-19						
	1.9	505-525	137-147	5-9	10-14	15-17	13-19						

*Based on 20% Methanol antifreeze solution

Models:
MC
006-060

Unit Operating Conditions

MC018		Cooling						Heating					
Entering Water Temp °F	Water Flow GPM	Discharge Pressure PSIG	Suction Pressure PSIG	Superheat °F	Subcooling °F	Water Temp Rise °F	Air Temp Drop °F DB	Discharge Pressure PSIG	Suction Pressure PSIG	Superheat °F	Subcooling °F	Water Temp Rise °F	Air Temp Drop °F DB
30*	4.5	136-156	115-125	12-16	7-11	11-13	20-26	268-288	69-79	6-10	4-8	4-6	18-24
	3.4	145-165	117-127	9-13	8-12	16-18	20-26	265-285	65-75	8-12	4-8	6-8	17-23
	2.3	153-173	119-129	6-10	9-13	21-23	20-26	261-281	62-72	9-13	4-8	8-10	16-22
50	4.5	186-206	121-131	9-13	8-12	10-12	19-25	297-317	100-110	6-10	4-8	5-7	24-30
	3.4	199-219	122-132	8-12	10-14	16-18	19-25	294-314	95-105	6-10	4-8	8-10	23-29
	2.3	213-233	123-133	7-11	12-16	21-23	19-25	290-310	91-101	5-9	4-8	11-13	22-28
70	4.5	251-271	126-136	8-12	9-13	10-12	18-24	328-348	134-144	7-11	3-7	7-9	30-36
	3.4	268-288	126-136	8-12	11-15	15-17	18-24	323-343	128-138	6-10	3-7	10-12	29-35
	2.3	284-304	127-137	8-12	14-18	21-23	17-23	318-338	122-132	5-9	3-7	14-16	28-34
90	4.5	331-351	131-141	8-12	10-14	9-11	17-23	360-380	172-182	9-13	3-7	9-11	36-42
	3.4	349-369	131-141	8-12	12-16	15-17	16-22	353-373	163-173	9-13	3-7	13-15	34-40
	2.3	367-387	132-142	9-13	15-19	20-22	16-22	346-366	155-165	8-12	3-7	17-19	33-39
120	4.5	478-498	137-147	10-14	12-16	9-11	14-20						
	3.4	495-515	138-148	10-14	13-17	13-15	14-20						
	2.3	513-533	139-149	10-14	15-19	18-20	14-20						

*Based on 20% Methanol antifreeze solution

MC024		Cooling						Heating					
Entering Water Temp °F	Water Flow GPM	Discharge Pressure PSIG	Suction Pressure PSIG	Superheat °F	Subcooling °F	Water Temp Rise °F	Air Temp Drop °F DB	Discharge Pressure PSIG	Suction Pressure PSIG	Superheat °F	Subcooling °F	Water Temp Rise °F	Air Temp Drop °F DB
30*	6	136-156	100-110	31-35	17-21	9-11	18-24	292-312	67-77	8-12	8-12	4-6	19-25
	4.5	144-164	108-118	22-26	17-21	14-16	19-25	288-308	64-74	8-12	8-12	-1-1	19-25
	3	157-177	110-120	18-22	19-23	21-23	20-26	283-303	60-70	8-12	7-11	8-10	18-24
50	6	190-210	112-122	19-23	15-19	9-11	18-24	328-348	96-106	9-13	10-14	6-8	26-32
	4.5	200-220	115-125	15-19	16-20	13-15	19-25	325-345	93-103	9-13	10-14	1-3	26-32
	3	219-239	116-126	13-17	18-22	20-22	19-25	319-339	87-97	8-12	9-13	11-13	24-30
70	6	259-279	121-131	11-15	14-18	9-11	18-24	366-386	128-138	11-15	10-14	7-9	32-38
	4.5	271-291	121-131	10-14	16-20	13-15	18-24	362-382	124-134	11-15	10-14	3-5	32-38
	3	294-314	122-132	10-14	18-22	20-22	18-24	353-373	116-126	9-13	10-14	14-16	30-36
90	6	343-363	127-137	7-11	13-17	9-11	18-24	404-424	162-172	14-18	8-12	9-11	39-45
	4.5	356-376	126-136	7-11	16-20	13-15	17-23	398-418	156-166	13-17	8-12	6-8	38-44
	3	383-403	127-137	8-12	19-23	19-21	17-23	386-406	145-155	12-16	8-12	18-20	36-42
120	6	497-517	132-142	8-12	15-19	8-10	16-22						
	4.5	512-532	133-143	6-10	17-21	12-14	16-22						
	3	540-560	135-145	7-11	19-23	18-20	15-21						

*Based on 20% Methanol antifreeze solution

Models:
MC
006-060

Unit Operating Conditions

MC030		Cooling						Heating					
Entering Water Temp °F	Water Flow GPM	Discharge Pressure PSIG	Suction Pressure PSIG	Superheat °F	Subcooling °F	Water Temp Rise °F	Air Temp Drop °F DB	Discharge Pressure PSIG	Suction Pressure PSIG	Superheat °F	Subcooling °F	Water Temp Rise °F	Air Temp Drop °F DB
30*	7.5	133-153	107-117	20-24	12-16	9-11	18-24	288-308	66-76	7-11	7-11	3-5	18-24
	5.6	144-164	112-122	14-18	10-14	13-15	19-25	284-304	63-73	7-11	7-11	5-7	18-24
	3.8	156-176	113-123	12-16	12-16	19-21	19-25	281-301	59-69	6-10	7-11	7-9	17-23
50	7.5	174-194	115-125	13-17	10-14	9-11	18-24	321-341	94-104	8-12	7-11	5-7	24-30
	5.6	201-221	117-127	11-15	11-15	13-15	18-24	317-337	92-102	8-12	7-11	7-9	24-30
	3.8	218-238	118-128	9-13	13-17	19-21	18-24	312-332	87-97	7-11	8-12	10-12	23-29
70	7.5	223-243	121-131	8-12	10-14	9-11	17-23	356-376	126-136	11-15	6-10	6-8	30-36
	5.6	272-292	122-132	8-12	11-15	12-14	17-23	351-371	123-133	10-14	6-10	9-11	29-35
	3.8	293-313	123-133	7-11	13-17	18-20	17-23	343-363	115-125	9-13	6-10	13-15	28-34
90	7.5	280-300	127-137	5-9	10-14	9-11	16-22	392-412	161-171	15-19	4-8	8-10	36-42
	5.6	357-377	127-137	6-10	12-16	12-14	16-22	385-405	156-166	13-17	4-8	11-13	35-41
	3.8	379-399	128-138	6-10	14-18	18-20	16-22	375-395	146-156	12-16	4-8	16-18	33-39
120	7.5	383-403	134-144	5-9	11-15	8-10	14-20						
	5.6	508-528	135-145	4-8	12-16	11-13	14-20						
	3.8	531-551	137-147	4-8	15-19	17-19	14-20						

*Based on 20% Methanol antifreeze solution

MC036		Cooling						Heating					
Entering Water Temp °F	Water Flow GPM	Discharge Pressure PSIG	Suction Pressure PSIG	Superheat °F	Subcooling °F	Water Temp Rise °F	Air Temp Drop °F DB	Discharge Pressure PSIG	Suction Pressure PSIG	Superheat °F	Subcooling °F	Water Temp Rise °F	Air Temp Drop °F DB
30*	9	133-153	104-114	22-26	10-14	9-11	19-25	310-330	66-76	9-13	12-16	4-6	20-26
	6	142-162	106-116	17-21	10-14	14-16	20-26	304-324	62-72	8-12	12-16	6-8	19-25
	3	175-195	109-119	10-14	16-20	29-31	21-27	293-313	54-64	10-14	12-16	11-13	17-23
50	9	187-207	111-121	14-18	8-12	9-11	19-25	350-370	96-106	8-12	14-18	5-7	27-33
	6	200-220	112-122	11-15	10-14	14-16	19-25	344-364	91-101	8-12	14-18	8-10	26-32
	3	242-262	114-124	7-11	15-19	29-31	19-25	331-351	80-90	7-11	14-18	15-17	24-30
70	9	255-275	117-127	8-12	8-12	9-11	18-24	392-412	128-138	10-14	14-18	7-9	33-39
	6	271-291	117-127	7-11	10-14	14-16	18-24	385-405	122-132	9-13	14-18	10-12	32-38
	3	320-340	120-130	5-9	15-19	28-30	18-24	366-386	107-117	8-12	15-19	19-21	30-36
90	9	336-356	123-133	5-9	8-12	9-11	18-24	435-455	163-173	15-19	12-16	9-11	40-46
	6	355-375	123-133	5-9	10-14	13-15	18-24	425-445	153-163	14-18	12-16	13-15	38-44
	3	408-428	125-135	4-8	15-19	27-29	17-23	400-420	133-143	11-15	13-17	24-26	34-40
120	9	485-505	130-140	4-8	9-13	9-11	16-22						
	6	505-525	130-140	4-8	10-14	12-14	16-22						
	3	560-580	133-143	3-7	16-20	26-28	15-21						

*Based on 20% Methanol antifreeze solution

Models:
MC
006-060

Unit Operating Conditions

MC042		Cooling						Heating					
Entering Water Temp °F	Water Flow GPM	Discharge Pressure PSIG	Suction Pressure PSIG	Superheat °F	Subcooling °F	Water Temp Rise °F	Air Temp Drop °F DB	Discharge Pressure PSIG	Suction Pressure PSIG	Superheat °F	Subcooling °F	Water Temp Rise °F	Air Temp Drop °F DB
30*	10.5	139-159	100-110	27-31	16-20	9-11	19-25	284-304	63-73	5-9	6-10	4-6	18-24
	7.8	148-168	104-114	21-25	16-20	12-14	19-25	280-300	59-69	4-8	6-10	5-7	17-23
	5.25	163-183	107-117	18-22	18-22	19-21	19-25	275-295	55-65	5-9	6-10	4-6	16-22
50	10.5	189-209	108-118	18-22	15-19	9-11	19-25	319-339	91-101	8-12	5-9	5-7	26-32
	7.8	199-219	110-120	15-19	16-20	13-15	19-25	316-336	88-98	7-11	5-9	7-9	25-31
	5.25	219-239	112-122	13-17	18-22	19-21	19-25	310-330	83-93	7-11	6-10	4-6	24-30
70	10.5	256-276	115-125	11-15	15-19	9-11	18-24	354-374	122-132	12-16	4-8	6-8	32-38
	7.8	268-288	116-126	10-14	16-20	13-15	19-25	351-371	118-128	11-15	4-8	9-11	31-37
	5.25	292-312	117-127	9-13	19-23	19-21	18-24	343-363	112-122	10-14	5-9	5-7	30-36
90	10.5	340-360	121-131	7-11	16-20	8-10	18-24	389-409	155-165	17-21	2-6	8-10	38-44
	7.8	354-374	122-132	6-10	17-21	14-16	18-24	383-403	150-160	16-20	2-6	11-13	37-43
	5.25	381-401	122-132	6-10	21-25	18-20	17-23	374-394	142-152	15-19	3-7	5-7	36-42
120	10.5	498-518	128-138	6-10	19-23	8-10	15-21						
	7.8	515-535	129-139	4-8	20-24	15-17	16-22						
	5.25	544-564	130-140	4-8	24-28	17-19	15-21						

*Based on 20% Methanol antifreeze solution

MC048		Cooling						Heating					
Entering Water Temp °F	Water Flow GPM	Discharge Pressure PSIG	Suction Pressure PSIG	Superheat °F	Subcooling °F	Water Temp Rise °F	Air Temp Drop °F DB	Discharge Pressure PSIG	Suction Pressure PSIG	Superheat °F	Subcooling °F	Water Temp Rise °F	Air Temp Drop °F DB
30*	12	140-160	106-116	21-25	6-10	10-12	18-24	300-320	60-70	0-4	14-18	4-6	20-26
	9	146-166	109-119	16-20	4-8	13-15	19-25	295-315	56-66	2-6	15-19	5-7	20-26
	6	162-182	111-121	12-16	7-11	20-22	19-25	290-310	52-62	-3-1	15-19	7-9	19-25
50	12	189-209	111-121	14-18	7-11	10-12	18-24	335-355	90-100	3-7	10-14	5-7	27-33
	9	198-218	112-122	12-16	7-11	13-15	18-24	331-351	87-97	2-6	10-14	7-9	26-32
	6	219-239	114-124	11-15	10-14	20-22	18-24	324-344	80-90	1-5	11-15	10-12	25-31
70	12	255-275	116-126	10-14	8-12	9-11	18-24	374-394	124-134	7-11	6-10	7-9	33-39
	9	268-288	116-126	10-14	10-14	13-15	18-24	370-390	120-130	6-10	6-10	9-11	32-38
	6	292-312	117-127	10-14	13-17	20-22	17-23	359-379	111-121	5-9	7-11	14-16	31-37
90	12	340-360	121-131	8-12	10-14	9-11	17-23	416-436	162-172	12-16	2-6	8-10	39-45
	9	354-374	121-131	9-13	12-16	12-14	16-22	410-430	156-166	12-16	2-6	12-14	39-45
	6	382-402	121-131	10-14	16-20	19-21	16-22	397-417	145-155	9-13	3-7	17-19	37-43
120	12	499-519	127-137	10-14	14-18	9-11	15-21						
	9	515-535	128-138	10-14	16-20	12-14	14-20						
	6	546-566	129-139	10-14	19-23	18-20	14-20						

*Based on 20% Methanol antifreeze solution

Models:
MC
006-060

Unit Operating Conditions

MC060		Cooling						Heating					
Entering Water Temp °F	Water Flow GPM	Discharge Pressure PSIG	Suction Pressure PSIG	Superheat °F	Subcooling °F	Water Temp Rise °F	Air Temp Drop °F DB	Discharge Pressure PSIG	Suction Pressure PSIG	Superheat °F	Subcooling °F	Water Temp Rise °F	Air Temp Drop °F DB
30*	15	142-162	108-118	36-40	10-14	10-12	18-24	281-301	64-74	7-11	3-7	3-5	18-24
	11.25	151-171	115-125	20-24	3-7	13-15	19-25	276-296	60-70	7-11	3-7	4-6	18-24
	7.5	164-184	118-128	17-21	3-7	20-22	19-25	274-294	57-67	7-11	3-7	7-9	17-23
50	15	191-211	115-125	22-26	9-13	9-11	18-24	315-335	93-103	6-10	3-7	5-7	25-31
	11.25	201-221	118-128	15-19	7-11	13-15	18-24	313-333	90-100	6-10	3-7	7-9	24-30
	7.5	220-240	120-130	13-17	9-13	20-22	18-24	308-328	85-95	6-10	3-7	10-12	23-29
70	15	256-276	121-131	12-16	9-13	9-11	17-23	352-372	126-136	8-12	2-6	7-9	31-37
	11.25	268-288	122-132	11-15	10-14	13-15	17-23	350-370	122-132	8-12	2-6	9-11	31-37
	7.5	292-312	123-133	10-14	14-18	20-22	17-23	342-362	115-125	7-11	2-6	13-15	29-35
90	15	338-358	126-136	8-12	10-14	9-11	16-22	392-412	161-171	14-18	1-5	8-10	37-43
	11.25	350-370	126-136	8-12	13-17	12-14	16-22	387-407	157-167	13-17	1-5	11-13	36-42
	7.5	378-398	127-137	8-12	17-21	19-21	16-22	376-396	147-157	12-16	2-6	16-18	35-41
120	15	491-511	132-142	11-15	15-19	8-10	14-20						
	11.25	505-525	133-143	8-12	15-19	12-14	14-20						
	7.5	537-557	134-144	8-12	18-22	19-21	15-21						

*Based on 20% Methanol antifreeze solution

MC041		Cooling						Heating					
Entering Water Temp °F	Water Flow GPM	Discharge Pressure PSIG	Suction Pressure PSIG	Superheat °F	Subcooling °F	Water Temp Rise °F	Air Temp Drop °F DB	Discharge Pressure PSIG	Suction Pressure PSIG	Superheat °F	Subcooling °F	Water Temp Rise °F	Air Temp Drop °F DB
30*	10.0	126-146	112-122	20-24	5-9	9-11	22-28	290-310	66-76	8-12	9-13	3-5	20-26
	7.5	139-159	112-122	19-23	7-11	14-16	22-28	286-306	63-73	8-12	9-13	5-7	19-25
	5.0	152-172	112-122	18-22	10-14	19-21	22-28	283-303	60-70	8-12	8-12	6-8	19-25
50	10.0	178-198	114-124	11-15	6-10	9-11	22-28	319-339	95-105	7-11	8-12	5-7	27-33
	7.5	191-211	115-125	11-15	9-13	14-16	22-28	316-336	92-102	7-11	8-12	6-8	26-32
	5.0	204-224	115-125	10-14	12-16	18-20	22-28	312-332	89-99	7-11	8-12	8-10	25-31
70	10.0	245-265	117-127	9-13	8-12	8-10	22-28	362-382	131-141	8-12	8-12	6-8	33-39
	7.5	258-278	118-128	8-12	11-15	13-15	22-28	358-378	128-138	8-12	8-12	8-10	33-39
	5.0	271-291	118-128	7-11	13-17	18-20	22-28	354-374	125-135	8-12	8-12	10-12	32-38
90	10.0	328-348	122-132	9-13	10-14	8-10	20-26	415-435	171-181	11-15	6-10	8-10	40-46
	7.5	341-361	123-133	8-12	13-17	13-15	20-26	411-431	168-178	10-14	6-10	9-11	39-45
	5.0	354-374	123-133	8-12	16-20	18-20	20-26	407-427	165-175	10-14	6-10	11-13	39-45
120	10.0	484-504	135-145	9-13	14-18	7-9	16-22						
	7.5	497-517	135-145	8-12	17-21	12-14	16-22						
	5.0	510-530	135-145	7-11	20-24	17-19	16-22						

*Based on 20% Methanol antifreeze solution

Preventive Maintenance

WATER COIL MAINTENANCE (WATER LOOP APPLICATIONS)

Generally water coil maintenance is not needed for closed loop systems. However, if the piping is known to have high dirt or debris content, it is best to establish a periodic maintenance schedule with the owner so the water coil can be checked regularly. Dirty installations are typically the result of deterioration of iron or galvanized piping or components in the system. Open cooling towers requiring heavy chemical treatment and mineral buildup through water use can also contribute to higher maintenance. Should periodic coil cleaning be necessary, use standard coil cleaning procedures, which are compatible with both the heat exchanger material and copper water lines. Generally, the more water flowing through the unit, the less chance for scaling. However, flow rates over 3 GPM per ton (3.9 l/m per kW) can produce water (or debris) velocities that can erode the heat exchanger wall and ultimately produce leaks.

FILTERS

Filters must be clean to obtain maximum performance. Filters should be inspected every month under normal operating conditions and be replaced when necessary. Units should never be operated without a filter.

CONDENSATE DRAIN

In areas where airborne bacteria may produce a “slimy” substance in the drain pan, it may be necessary to treat the drain pan chemically with an algacide approximately every three months to minimize the problem. The condensate pan may also need to be cleaned periodically to ensure indoor air quality. The condensate drain can pick up lint and dirt, especially with dirty filters. Inspect the drain twice a year to avoid the possibility of plugging and eventual overflow.

COMPRESSOR

Conduct annual amperage checks to ensure that amp draw is no more than 10% greater than indicated on the serial dataplate.

AIR COIL

The air coil must be cleaned to obtain maximum performance. Check once a year under normal operating conditions and, if dirty, brush or vacuum clean. Care must be taken not to damage the aluminum fins while cleaning.

CAUTION

Fin edges are sharp and may cause injury.

CABINET

Do not allow water to stay in contact with the cabinet for long periods of time to prevent corrosion of the cabinet sheet metal. Generally, vertical cabinets are set up from the floor a few inches (7 - 8 cm) to prevent water from entering the cabinet. The cabinet can be cleaned using a mild detergent.

REPAIRS TO SEALED COMPONENTS

Sealed electrical components shall be replaced.

Models:
MC
006-060

Functional Troubleshooting

Fault	Htg	Clg	Possible Cause	Solution
Main power problems	X	X	Green Status LED Off	Check line voltage circuit breaker and disconnect.
				Check for line voltage between L1 and L2 on the contactor.
				Check for 24VAC between R and C on CXM2/DXM2.5.
				Check primary/secondary voltage on transformer.
HP Fault Code 2 High Pressure		X	Reduced or no water flow in cooling	Check pump operation or valve operation/setting. Check water flow adjust to proper flow rate.
		X	Water Temperature out of range in cooling	Bring water temp within design parameters.
	X		Reduced or no airflow in heating	Check for dirty air filter and clean or replace.
				Check fan motor operation and airflow restrictions.
				Dirty Air Coil - construction dust etc.
				Too high of external static? Check static vs blower table.
	X		Air temperature out of range in heating	Bring return air temp within design parameters.
X	X	Overcharged with refrigerant	Check superheat/subcooling vs typical operating condition table.	
X	X	Bad HP Switch	Check switch continuity and operation. Replace.	
LP/LOC Fault Code 3 Low Pressure / Loss of Charge	X	X	Insufficient charge	Check for refrigerant leaks.
	X		Compressor pump down at startup	Check charge and startup water flow.
LT1 Fault Code 4 Water coil low- temperature limit	X		Reduced or no water flow in heating	Check pump operation or water valve operation/setting.
				Plugged strainer or filter? Clean or replace.
				Check water flow. Adjust to proper flow rate.
	X		Inadequate antifreeze level	Check antifreeze density with hydrometer.
	X		Improper temperature limit setting (30°F vs 10°F [-1°C vs -2°C])	Clip JW3 jumper for antifreeze (10°F [-12°C]) use.
X	X	Bad thermistor	Check temp and impedance correlation per chart.	
LT2 Fault Code 5 Air coil low-temperature limit		X	Reduced or no airflow in cooling	Check for dirty air filter and clean or replace. Check fan motor operation and airflow restrictions. Too high of external static? Check static vs blower table.
		X	Air Temperature out of range	Too much cold vent air? Bring entering air temp within design parameters.
		X	Improper temperature limit setting (30°F vs 10°F [-1°C vs -12°C])	Normal airside applications will require 30°F [-1°C] only.
	X	X	Bad thermistor	Check temp and impedance correlation per chart.
Condensate Fault Code 6	X	X	Blocked drain	Check for blockage and clean drain.
	X	X	Improper trap	Check trap dimensions and location ahead of vent.
		X	Poor drainage	Check for piping slope away from unit.
				Check slope of unit toward outlet.
				Poor venting? Check vent location.
		X	Moisture on sensor	Check for moisture shorting to air coil.
X	X	Plugged air filter	Replace air filter.	
X	X	Restricted Return Airflow	Find and eliminate restriction. Increase return duct and/or grille size.	

Table continued on next page.

Functional Troubleshooting

Table continued from previous page.

Fault	Htg	Clg	Possible Cause	Solution
Over/Under Voltage Code 7 (Auto resetting)	X	X	Under Voltage	Check power supply and 24VAC voltage before and during operation.
				Check power supply wire size.
	X	X	Over Voltage	Check compressor starting. Need hard start kit?
				Check 24VAC and unit transformer. Tap for correct power supply voltage.
Unit Performance Sentinel Code 8	X		Heating mode LT2>125°F [52°C]	Check for poor airflow or overcharged unit.
		X	Cooling Mode LT1>125°F [52°C] OR LT2< 40°F [4°C]	Check for poor water flow or airflow.
Swapped Thermistor Code 9	X	X	LT1 and LT2 swapped	Reverse position of thermistors
Low Water Flow Code 13	X	X	Reduced or no water flow	Check pump or valve operation setting.
				Check water flow and adjust to proper flow rate.
			Inadequate antifreeze level	Check antifreeze density with hydrometer.
Leaving Water Temperature Low Code 14	X		Reduced or no water flow in heating	Check pump or valve operation setting.
			Inadequate antifreeze level	Check antifreeze density with hydrometer.
	X		Improper temperature limit setting [30°F vs 15°F [-1°C vs -9°C]	Clip JW3 jumper for antifreeze (15°F [-9°C]) use.
	X		Water temperature out of range	Bring water temperature within design parameters.
	X	X	Bad thermistor	Check temperature impedance correlation per chart.
Refrigerant and RDS Code 15	X	X	Refrigerant Leak	Check refrigerant charge. If the charge is low, identify and repair the leak.
			Faulty RDS sensor	Check refrigerant charge. If the charge is not low, replace the RDS sensor.
No Fault Code Shown	X	X	No compressor operation	See "Only Fan Runs".
	X	X	Compressor overload	Check and replace, if necessary.
	X	X	Control board	Reset power and check operation.
Unit Short Cycles	X	X	Dirty air filter	Check and clean air filter.
	X	X	Unit in "test mode"	Reset power or wait 30 minutes for auto exit.
	X	X	Unit selection	Unit may be oversized for space. Check sizing for actual load of space.
	X	X	Compressor overload	Check and replace, if necessary.
Only Fan Runs	X	X	Thermostat position	Ensure thermostat set for heating or cooling operation.
	X	X	Unit locked out	Check for lockout codes. Reset power.
	X	X	Compressor Overload	Check compressor overload. Replace if necessary.
	X	X	Thermostat wiring	Check thermostat wiring at heat pump. Jumper Y and R for compressor operation in test mode.

Table continued on next page.

Models:
MC
006-060

Functional Troubleshooting

Table continued from previous page.

Fault	Htg	Clg	Possible Cause	Solution
Only Compressor Runs	X	X	Thermostat wiring	Check G wiring at heat pump. Jumper G and R for fan operation.
	X	X		Check thermostat wiring at heat pump. Jumper Y and R for compressor operation in test mode.
	X	X	Fan motor relay	Jumper G and R for fan operation. Check for line voltage across BR contacts.
	X	X		Check fan power enable relay operation (if present).
	X	X	Fan motor	Check for line voltage at motor. Check capacitor.
Unit Doesn't Operate in Cooling		X	Reversing valve	Set for cooling demand and check 24VAC on RV coil and at CXM2/DXM2.5.
		X		If RV is stuck, run high pressure up by reducing water flow and while operating engage and disengage RV coil voltage to push valve.
		X	Thermostat setup	Check for 'O' RV setup not 'B'.
		X	Thermostat wiring	Check O wiring at heat pump. Jumper O and R for RV coil 'click'.
		X		Put thermostat in cooling mode. Check 24VAC on O (check between C and O); check for 24VAC on W (check between W and C). There should be voltage on O, but not on W. If voltage is present on W, thermostat may be bad or wired incorrectly.

Performance Troubleshooting

Symptom	Htg	Clg	Possible Cause	Solution
Insufficient capacity/ Not cooling or heating	X	X	Dirty filter	Replace or clean.
	X		Reduced or no airflow in heating	Check for dirty air filter and clean or replace.
				Check fan motor operation and airflow restrictions.
				Too high of external static? Check static vs. blower table.
		X	Reduced or no airflow in cooling	Check for dirty air filter and clean or replace.
				Check fan motor operation and airflow restrictions.
				Too high of external static? Check static vs. blower table.
	X	X	Leaky duct work	Check supply and return air temperatures at the unit and at distant duct registers. If significantly different, duct leaks are present.
	X	X	Low refrigerant charge	Check superheat and subcooling per chart.
	X	X	Restricted metering device	Check superheat and subcooling per chart. Replace.
		X	Defective reversing valve	Perform RV touch test.
X	X	Thermostat improperly located	Check location and for air drafts behind stat.	
X	X	Unit undersized	Recheck loads & sizing. Check sensible cooling load and heat pump capacity.	
X	X	Scaling in water heat exchanger	Perform scaling check and clean if necessary.	
X	X	Inlet water too hot or cold	Check load, loop sizing, loop backfill, ground moisture.	
High Head Pressure	X		Reduced or no airflow in heating	Check for dirty air filter and clean or replace.
				Check fan motor operation and airflow restrictions.
				Too high of external static? Check static vs. blower table.
		X	Reduced or no water flow in cooling	Check pump operation or valve operation/setting. Check water flow. Adjust to proper flow rate.
		X	Inlet water too hot	Check load, loop sizing, loop backfill, ground moisture.
	X		Air temperature out of range in heating	Bring return air temperature within design parameters.
		X	Scaling in water heat exchanger	Perform scaling check and clean if necessary.
	X	X	Unit overcharged	Check superheat and subcooling. Re-weigh in charge.
X	X	Non-condensables in system	Vacuum system and re-weigh in charge.	
X	X	Restricted metering device	Check superheat and subcooling per chart. Replace.	
Low Suction Pressure	X		Reduced water flow in heating	Check pump operation or water valve operation/setting.
				Plugged strainer or filter? Clean or replace.
				Check water flow. Adjust to proper flow rate.
	X		Water temperature out of range	Bring water temperature within design parameters.
		X	Reduced airflow in cooling	Check for dirty air filter and clean or replace.
				Check fan motor operation and airflow restrictions. Too high of external static? Check static vs. blower table.
	X	Air temperature out of range	Too much cold vent air? Bring entering air temperature within design parameters.	
X	X	Insufficient charge	Check for refrigerant leaks.	
Low Discharge Air Temperature in Heating	X		Too high of airflow	Check fan motor speed selection and airflow chart.
	X		Poor performance	See 'Insufficient Capacity'
High humidity		X	Too high of airflow	Check fan motor speed selection and airflow chart.
		X	Unit oversized	Recheck loads & sizing. Check sensible cooling load and heat pump capacity.

Table continued on next page.

Models:
MC
006-060

Performance Troubleshooting

Table continued from previous page.

Symptom	Htg	Clg	Possible Cause	Solution
Only Compressor Runs	X	X	Thermostat wiring	Check G wiring at heat pump. Jumper G and R for fan operation.
	X	X	Fan motor relay	Jumper G and R for fan operation. Check for line voltage across blower relay contacts. Check fan power. Enable relay operation (if present).
	X	X	Fan motor	Check for line voltage at motor. Check capacitor.
	X	X	Thermostat wiring	Check thermostat wiring at CXM2. Put in Test Mode and then jumper Y1 and W1 to R to give call for fan, compressor and electric heat.
Unit Doesn't Operate in Cooling		X	Reversing valve	Set for cooling demand and check 24VAC on RV coil. If RV is stuck, run high pressure up by reducing water flow and, while operating, engage and disengage RV coil voltage to push valve.
		X	Thermostat setup	For DXM2.5, check for "O" RV setup, not "B".
		X	Thermostat wiring	Check O wiring at heat pump. CXM2 requires call for compressor. You should hear a "click" sound from the reversing valve..

Models:
MC
006-060

Startup Log Sheet

Installer: Complete *Unit and System Checkout* and follow *Unit Startup Procedures* in the IOM. Use this form to record unit information, temperatures, and pressures during startup. Keep this form for reference.

Job Name: _____

Street Address: _____

Model Number: _____ **Serial Number:** _____

Unit Location in Building: _____

Date: _____ **Sales Order Number:** _____

In order to minimize troubleshooting and costly system failures, complete the following checks and data entries before the system is put into full operation.

Fan Motor	Description	Value
PSC	Speed Tap	
CT EC	Speed Tap	
CV EC	CFM Setting	

Temperatures (check one): °F °C Antifreeze: _____ %

Pressures (check one): PSIG kPa Type: _____

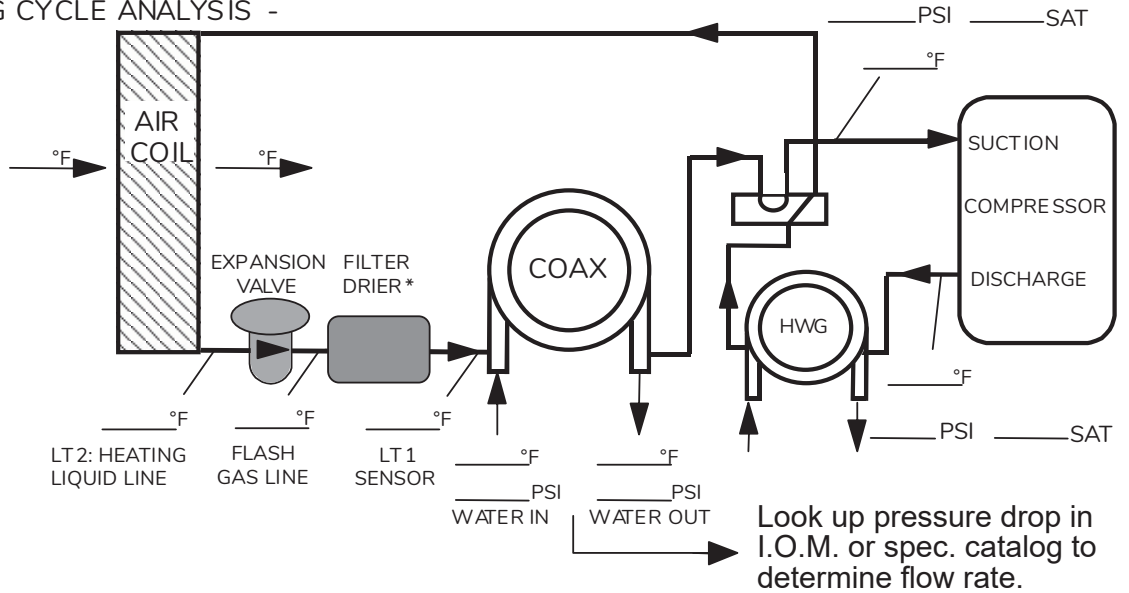
	Cooling Mode		Heating Mode
Entering Fluid Temperature			
Leaving Fluid Temperature			
Fluid Temperature Differential			
Return-Air Temperature	DB	WB	DB
Supply-Air Temperature	DB	WB	DB
Air Temperature Differential			
Water Coil Heat Exchanger (Water Pressure IN)			
Water Coil Heat Exchanger (Water Pressure OUT)			
Pressure Differential			
Flow Rate GPM (l/s)			
Compressor			
Amps			
Volts			
Discharge Line Temperature			
Motor			
Amps			
Volts			

- NOTES:**
1. Allow unit to run 15 minutes in each mode before taking data.
 2. Never connect refrigerant gauges during startup procedures.
 3. Conduct water-side analysis using P/T ports to determine water flow and temperature difference.
 4. If water-side analysis shows poor performance, refrigerant troubleshooting may be required.
 5. Connect refrigerant gauges as a last resort.

Models:
MC
006-060

Functional Troubleshooting Form

HEATING CYCLE ANALYSIS -



COOLING CYCLE ANALYSIS -

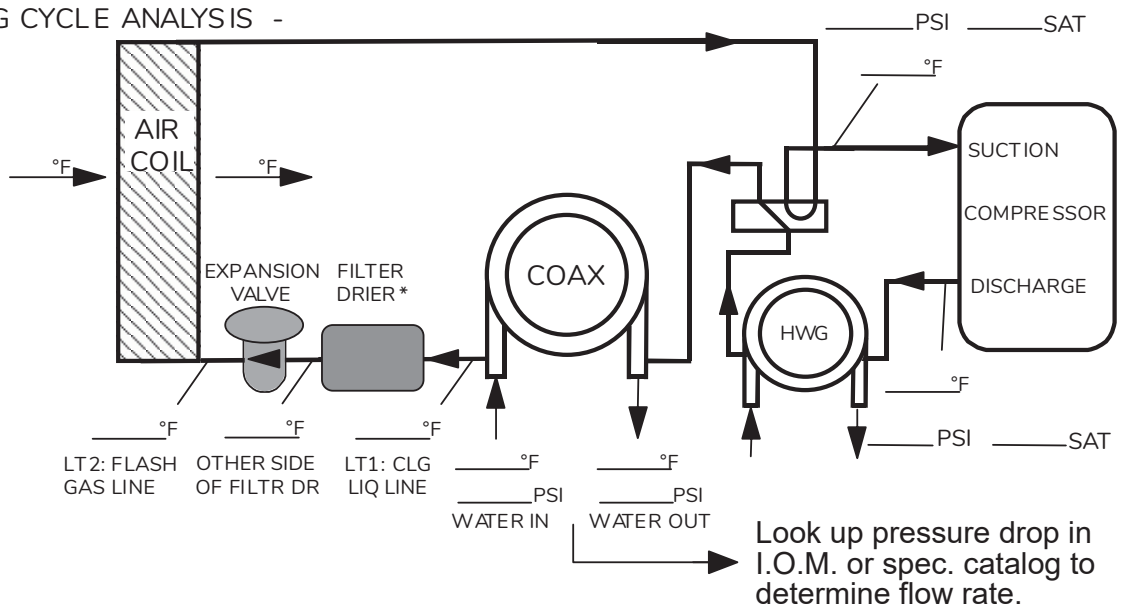
Refrigerant Type:

R-454B

Voltage: _____

Comp Amps: _____

Total Amps: _____



Heat of Extraction (Absorption) or Heat of Rejection =

$$\text{_____ flow rate (gpm)} \times \text{_____ temp.diff. (deg. F)} \times \text{_____ fluid factor}^\dagger = \text{_____ (Btu/hr)}$$

Superheat = Suction temperature - suction saturation temp. = _____ (deg F)

Subcooling = Discharge saturation temp. - liquid line temp. = _____ (deg F)

[†] Use 500 for water, 485 for antifreeze.

Notes

Models:
MC
006-060

Models:
MC
006-060

Notes

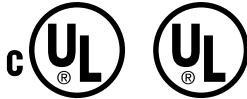
Notes

Models:
MC
006-060

Models:
MC
006-060

Revision History

Date	Section	Description
01/13/25	Electrical Data	Updated data
12/20/24	Model Nomenclature, Physical Data, Electrical Data, Blower Performance, Unit Operating Conditions	Added size 041 content
	Electrical: Low Voltage Wiring	Added content concerning the End of Line (EoL) termination on the RDS board
09/27/24	All	Created



1900 Wellworth Ave. | Jackson, MI 49203
Phone: 517.787.2100
www.marsdelivers.com

Due to ongoing product improvements, specifications and dimensions are subject to change and correction without notice or incurring obligations. Determining the application and suitability for use of any product is the responsibility of the installer. Additionally, the installer is responsible for verifying dimensional data on the actual product prior to beginning any installation preparations.

Incentive and rebate programs have precise requirements as to product performance and certification. All products meet applicable regulations in effect on date of manufacture; however, certifications are not necessarily granted for the life of a product. Therefore, it is the responsibility of the applicant to determine whether a specific model qualifies for these incentive/rebate programs.

Engineered and assembled in the USA.

© MARS, Inc. All Rights Reserved 2024