

GEOHERMAL & COMMERCIAL WSHP ACCESSORIES



Geothermal systems offer an effective way to cut utility costs while ensuring comfort. MARS line includes two stage geothermal heat pumps, both package and split system types. Additionally, we offer a full range of accessories required to configure and install these systems.

This catalog contains the following geothermal accessory products and specification guides:

| PRODUCT | PAGE |
|---|-------------|
| Commercial Water Source Heat Pump | |
| Deluxe Flow Center | 2 |
| Standard Flow Center | 4 |
| Double O-Ring Flow Center | 6 |
| O-Ring Fittings | 7 |
| Pressurized Loop Pump | 8 |
| Geothermal Accessory Fittings | 9 |
| Geothermal/WSHP Tools, Controls, and Hose Kits | 10-16 |



**CHOOSE RELIABILITY
AND EFFICIENCY.**

DELUXE FLOW CENTER



Reliable operation, stylish appearance

The Deluxe Flow Center is a non-pressurized pumping station that's housed in an attractive, durable cabinet, and is a recommended accessory for the installation of closed loop geothermal systems.

The Deluxe Flow Center includes patented features not available in any other system including its built-in pump protection. This design eliminates the need for a flush cart when filling and flushing a closed loop system with indoor manifolds. Because it is non-pressurized, the flow center allows you to add fluids like antifreeze or water, while automatically eliminating air from the closed loop system.

Simple to install

The Deluxe Flow Center is completely assembled at the factory to simplify installation, which is completed by connecting a return line from the loop system to the Deluxe Flow Center and then connecting a supply line from the Deluxe Flow Center to the heat pump unit.

Easy to operate and maintain

The QT Flow Center system includes self-sealing features that keep air out and water in. For you, that means trouble-free operation, easier installation and fewer call backs. For the homeowner, it means added reliability.

Adding antifreeze is easy. Just remove the self-sealing top and pour the liquid into the air elimination chamber. The top is completely sealed to keep dirt and air out—an exclusive feature of the Deluxe Flow Center.

The only moving parts of the system are the pumps, helping make service minimal. Each part can be removed for servicing without risk of fluid loss or air entry into the system.

Smart addition to water source technology

A geothermal system is a significant investment for the homeowner and one he will want to protect. Recommending the Deluxe Flow Center will not only add to the dependability of the closed loop system, it will add to the customer's satisfaction in the long run.

| CATALOG NO. | ITEM |
|-------------|--------------------------|
| 7602-402 | 1-Pump 230V Flow Center |
| 7602-403 | 2-Pump 230V Flow Center |
| 7602-407 | Flow Meter Tool (pg. 10) |
| 7602-408 | Wrench |



Features & Benefits

Removable Lid—Makes it easy to install, fill the unit, check flow rates and add antifreeze.

Air Separation Chamber—Continually performs purging function.

Foam Insulation—Eliminates unsightly condensation, assures quiet operation.

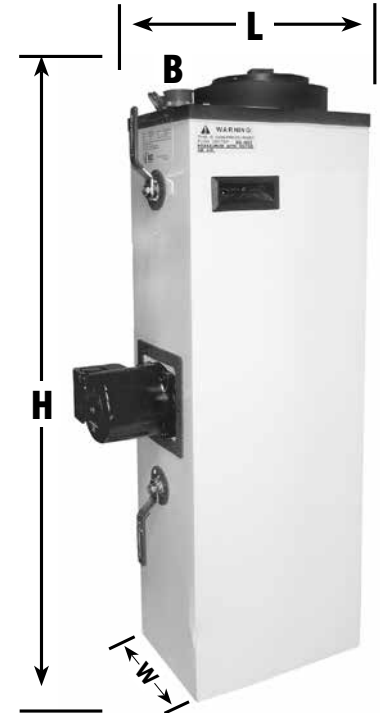
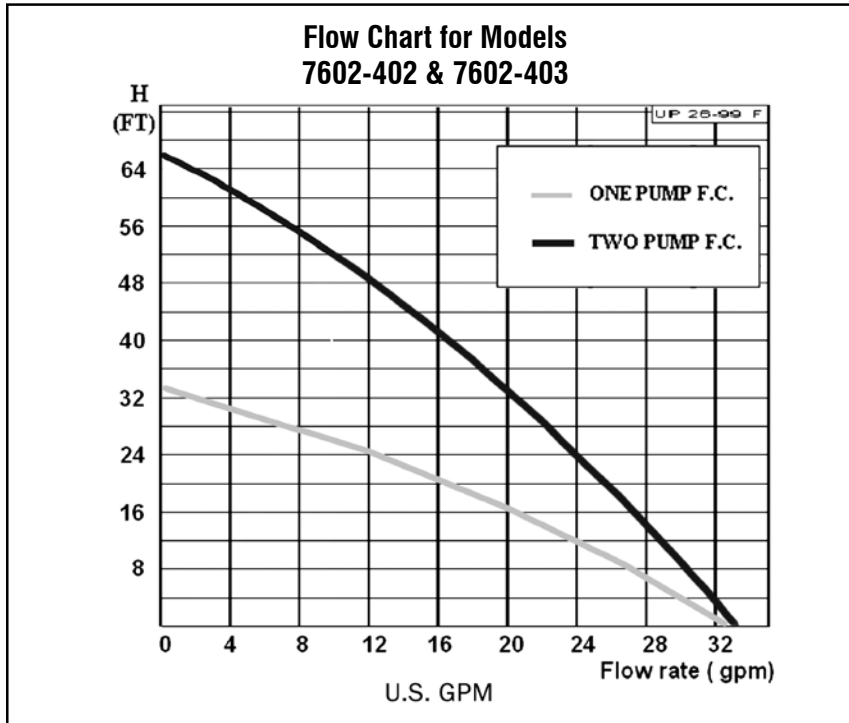
Solid, Durable Construction—Designed for long life while maintaining an attractive appearance.

Check Valve—Protects the pump(s) by keeping water on the bearing even if the chamber runs dry.

Built-in Handles—Makes it easy to handle the unit during installation.

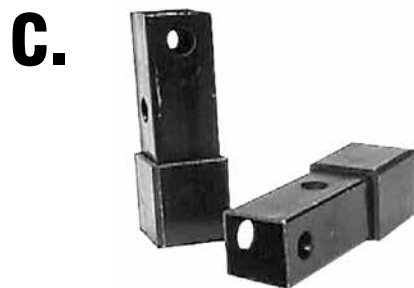
DELUXE FLOW CENTERS

| Deluxe Flow Center | Pumps | Power | Insulation | Approx. Volume of Fluid | Water Pump | Dimensions | | | Weight (lbs.) |
|--------------------|-------|----------|--------------|-------------------------|----------------|------------|-----|--------|---------------|
| | | | | | | H | L | W | |
| 7602-402 | 1 | 230/1/60 | Foam Cabinet | 4.5 Gal. | Grundfos 26-99 | 35" | 15" | 7 3/4" | 40 |
| 7602-403 | 2 | 230/1/60 | Foam Cabinet | 4.5 Gal. | Grundfos 26-99 | 35" | 15" | 7 3/4" | 55 |

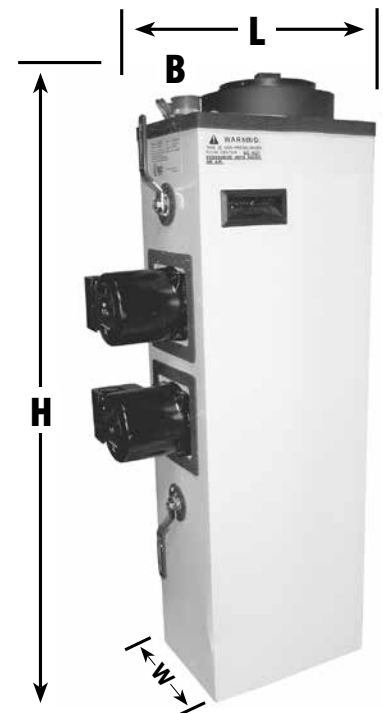


Model 7602-402

B = 1" FNPT with ball valve



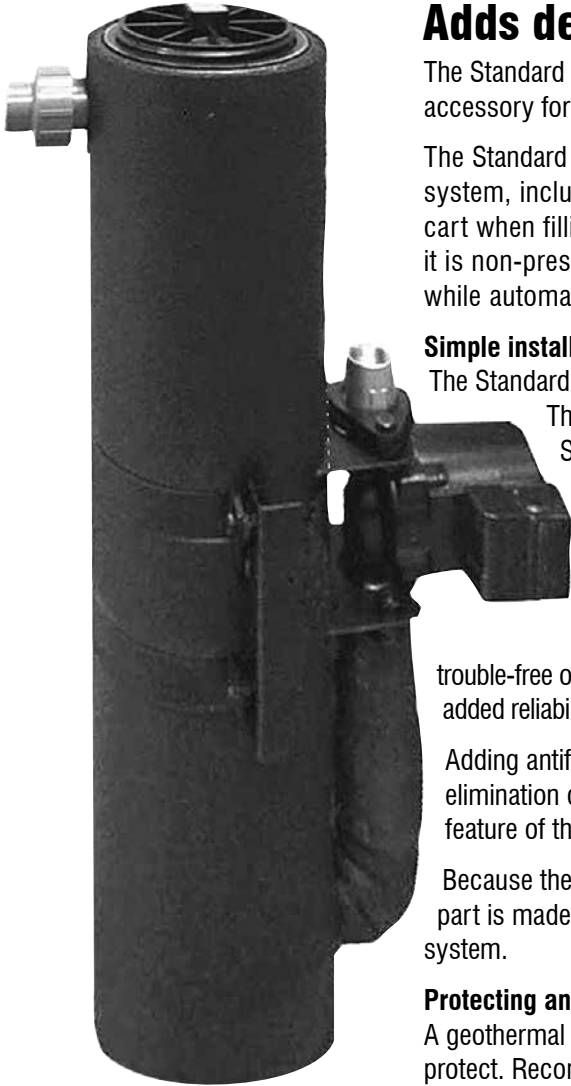
- A. View from side of flow center
- B. View from top of flow center
- C. Wrench for flow center top [separate accessory]



Model 7602-403

B = 1" FNPT with ball valve

STANDARD FLOW CENTER



Adds dependability to a closed loop system

The Standard Flow Center is a non-pressurized pumping station that's a recommended accessory for the installation of closed loop geothermal systems.

The Standard Flow Center incorporates patented features not available in any other system, including built-in pump protection. This design eliminates the need for a flush cart when filling and flushing a closed loop system with indoor manifolds. Because it is non-pressurized, the flow center allows you to add fluids like antifreeze or water, while automatically eliminating air from the closed loop system.

Simple installation

The Standard Flow Center is completely assembled at the factory to simplify installation. The unit is installed by connecting a return line from the loop system to the Standard Flow Center. Then connect a supply line from the Standard Flow Center to the heat pump unit. That's all there is to adding reliable pump protection to any closed loop system.

Easy to operate and maintain

The Standard Flow Center system is designed for dependability. The system includes self-sealing features that keep air out and water in. For you, that means trouble-free operation, easier installation and fewer call backs. For the homeowner, it means added reliability.

Adding antifreeze is easy. Just remove the self-sealing top and pour the liquid into the air elimination chamber. The top is completely sealed to keep dirt and air out—an exclusive feature of the Standard Flow Center.

Because the only moving parts of the system are the pumps, service is minimal. Each part is made to be removed for servicing without risk of fluid loss or air entry into the system.

Protecting an investment

A geothermal system is a significant investment for the homeowner and one he will want to protect. Recommending the Standard Flow Center will not only add to the dependability of the closed loop system, it will add to the customer's satisfaction in the long run.

| CATALOG NO. | ITEM |
|-------------|--------------------------|
| 7602-404 | 1-Pump 230V Flow Center |
| 7602-405 | 2-Pump 230V Flow Center |
| 7602-407 | Flow Meter Tool (pg. 10) |
| 7602-408 | Wrench |



Features & Benefits

Removable Lid—Makes it easy to install, fill the unit, check flow rates and add antifreeze.

Air Separation Chamber—Continually performs purging function.

Foam Insulation—Eliminates unsightly condensation, assures quiet operation.

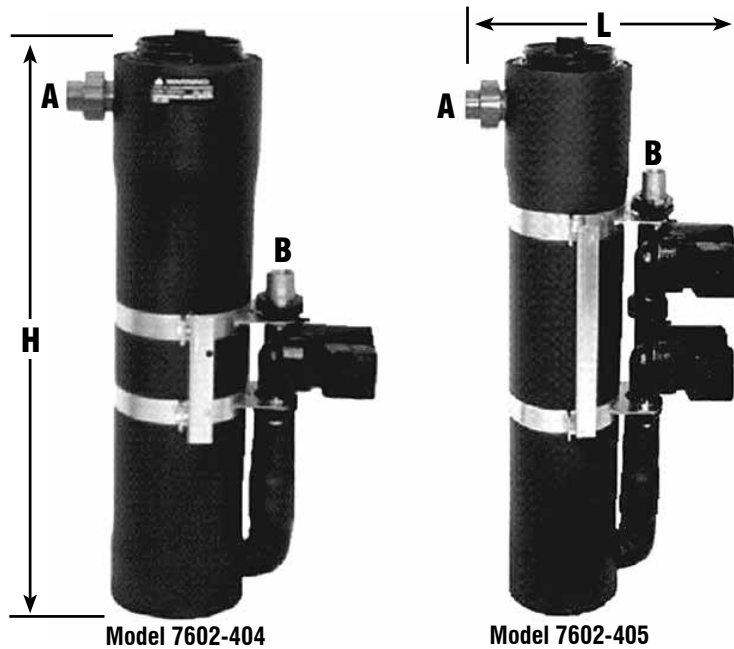
Solid, Durable Construction—Designed for long life while maintaining a low profile appearance.

Check Valve—Protects the pump(s) by keeping water on the bearing even if the chamber runs dry.

Dip Tube—Improves system performance by preventing air entry into the closed loop system.

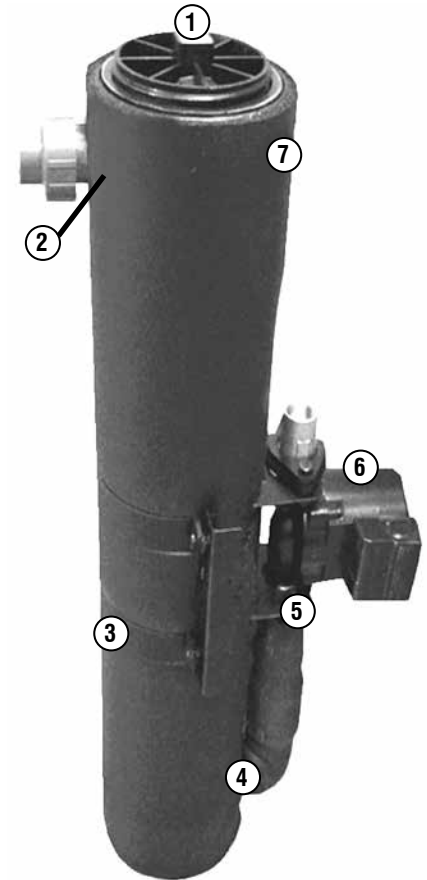
STANDARD FLOW CENTERS

| Standard Flow Center | Pumps | Power | Insulation | Approx. Volume of Fluid | Water Pump | Dimensions | | | Weight (lbs.) |
|----------------------|-------|----------|------------|-------------------------|----------------|------------|---------|----|---------------|
| | | | | | | H | L | D | |
| 7602-404 | 1 | 230/1/60 | 3/8" Foam | 4.5 Gal. | Grundfos 26-99 | 35" | 15 1/2" | 6" | 35 |
| 7602-405 | 2 | 230/1/60 | 3/8" Foam | 4.5 Gal. | Grundfos 26-99 | 35" | 15 1/2" | 6" | 47 |



Specifications

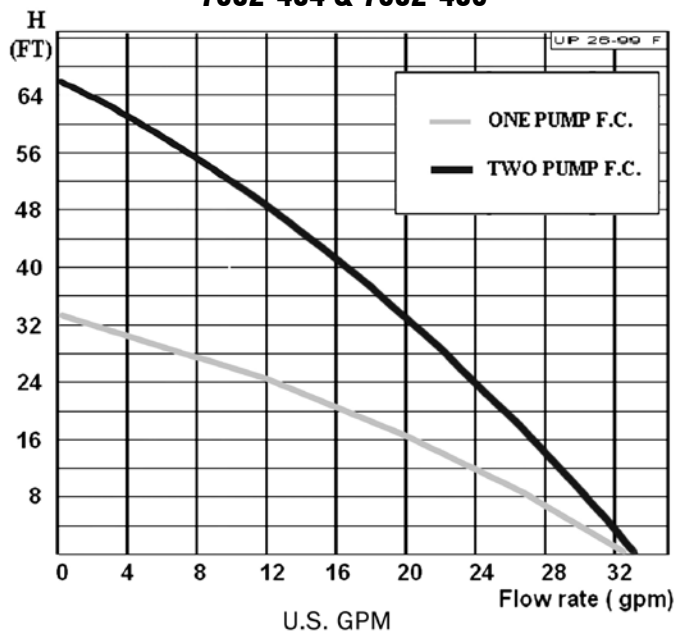
A = 1" Union PVC
 B = 1" FNPT with ball valve
 Material: 6" SDR35 D3034 PVC



Detailed part description

- 1. SELF-SEALING TOP**—All fluids are poured in the top of the chamber for filling, flushing and adding anti-freeze.
- 2. DIP TUBE**—Improves system performance by preventing air entry into the closed loop system. (internal, not shown)
- 3. TANK**—Includes a self-sealing, removable screw-on top for ease in installation.
- 4. BUILT-IN CHECK VALVE**—Holds water in the pump volutes after initial filling. This protects the pump by keeping water on the bearing even if the chamber runs dry.
- 5. BALL VALVE**—Allows each pump to be removed for service without the risk of fluid loss to the system
- 6. PUMP(S)**—Circulate fluid throughout the earth loop system (7602-404 has one pump while the 7602-405 has two pumps).
- 7. AIR ELIMINATION CHAMBER**—Removes air from the system as it is circulated through the canister.

Flow Chart for Models 7602-404 & 7602-405



DOUBLE O-RING LOOP PUMP

O-Ring design eliminates leaks

Our Double O-Ring Loop Pump, built with a high impact polystyrene cabinet, contains 3-way valves and pumps with connections for flushing, filling and pumping residential geothermal closed loop systems. The double O-ring design allows the connections to be hand tightened for ease of installation.

This enhanced, proven design is foam insulated to prevent condensation and will not rust. Full flow service valves minimize pressure drop. The Double O-Ring Loop Pump also utilizes the industry standard Grundfos circulator pumps.

Installation

The module comes fully assembled and leak tested; external connections are double O-ring. The light weight module can be easily mounted to the wall using the slotted mounting holes in the built-in mounting brackets.

Operation

The heat pump and earth loop are filled and flushed through the side connections; the composite valves rotate to four different positions to direct the flow of liquid solution, also allowing isolation of the heat pump or loop as needed for maintenance.



Composite Valve Flow Center—Single

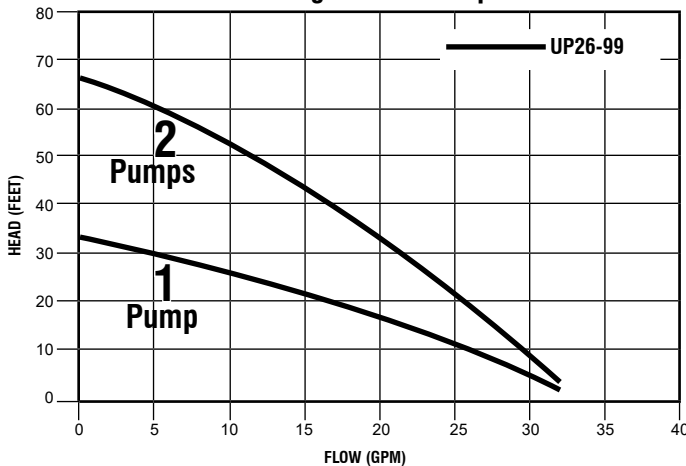


Composite Valve Flow Center—Dual

PRESSURIZED LOOP PUMP SPECIFICATIONS

- **Power Supply:** 230V-1Ph-60Hz
- **Volume:** **Single Pump:** 20 GPM Maximum @ 15 ft head
Dual Pump: 20 GPM Maximum @ 30 ft head
- **Maximum Operating Pressure:** 150 PSI
- **Maximum Operating Temperature:** 120°F
- **Minimum Operating Temperature:** 20°F
- **Connection Size:** 1" Double O-Ring
- **Approx. Weight in lbs.:** 26 single pump/32 dual pump

Double O-Ring Module Pump Curves



| CATALOG NO. | ITEM |
|-------------|-------------------------|
| 7602-423 | Single Pump Flow Center |
| 7602-424 | Dual Pump Flow Center |

(Order Double O-Ring fittings from page 6)



DOUBLE O-RING LOOP PUMP FITTINGS

For use with installations utilizing Double O-Ring Loop Pumps



**1 1/4" Socket Fusion
7602-425**



**Garden Hose Male
7602-429**



**1" Cam Lever Male
7602-426**



**Elbow, 1" MPT
7602-430**



**1" MPT
7602-427**



**1" Hose Barb
7602-431**



**1" Copper Sweat
7602-428**



**Elbow, 1" Hose Barb
7602-432**

STANDARD PRESSURIZED LOOP PUMP

Circulates fluid through a closed loop

Our Standard Pressurized Loop Pump modules, used for closed loop geothermal installations, are designed to circulate the liquid solution through the heat exchanger of the geothermal heat pump, out through the loop and back, so heat transfer can occur.

The pump module is compact at just 14 1/8" tall and engineered for quiet, reliable operation. The heavy duty cabinet is insulated with thick foam to eliminate condensation and includes full flow 1" brass valves.

Installation

The module comes fully assembled and leak tested; external connections are 1" FPT. The module can be easily mounted to the wall using the slotted mounting holes in the built-in mounting brackets. Connection of the module to the heat pump is quick and easy with the hose kit listed below.

Operation

The heat pump and earth loop are filled and flushed through the side connections; the two brass valves rotate to four different positions to direct the flow of liquid solution, also allowing isolation of the heat pump or loop as needed for maintenance.



Brass Valve Flow Center—Single

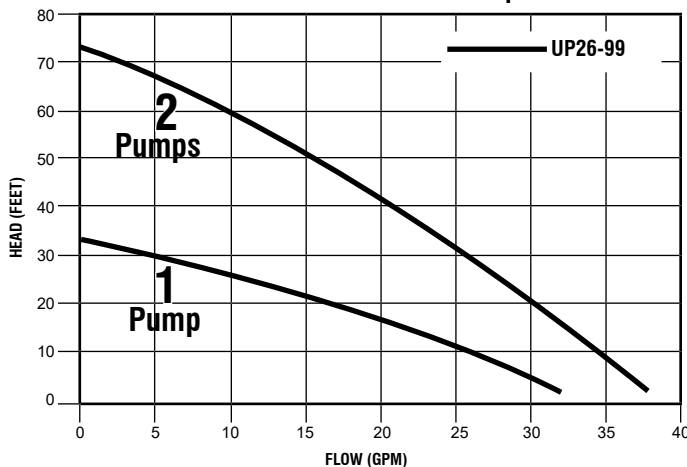


Brass Valve Flow Center—Dual

PRESSURIZED LOOP PUMP SPECIFICATIONS

- **Power Supply:** 230V-1Ph-60Hz
- **Volume:** **Single Pump:** 20 GPM Maximum @ 15 ft head
Dual Pump: 20 GPM Maximum @ 30 ft head
- **Maximum Operating Pressure:** 150 PSI
- **Maximum Operating Temperature:** 120°F
- **Minimum Operating Temperature:** 20°F
- **Connection Size:** 1" FPT
- **Approx. Weight in lbs.:** 38 single pump/42 dual pump

Standard Pressurized Module Pump Curves



| CATALOG NO. | ITEM |
|-------------|-------------------------|
| 7602-300 | Single Pressurized Pump |
| 7602-301 | Dual Pressurized Pump |
| 7602-103 | 1" Neoprene Hose Kit* |

*Hose kit includes one 12' neoprene hose, two MPT 1" barbed connectors, two 90° MPT 1" barbed connectors with PT ports, and four hose clamps.



GEOTHERMAL ACCESSORY FITTINGS

For use with open and/or closed loop geothermal installations

OPEN

The following accessories are used exclusively in open loop geothermal installations



Flow Controllers

| | | |
|----------|--------|----------------|
| 7602-203 | 3 GPM | 3/4" MPT X FPT |
| 7602-204 | 4 GPM | 3/4" MPT X FPT |
| 7602-205 | 5 GPM | 3/4" MPT X FPT |
| 7602-206 | 6 GPM | 3/4" MPT X FPT |
| 7602-207 | 7 GPM | 3/4" MPT X FPT |
| 7602-208 | 8 GPM | 3/4" MPT X FPT |
| 7602-209 | 9 GPM | 3/4" MPT X FPT |
| 7602-210 | 10 GPM | 1" MPT X FPT |
| 7602-211 | 11 GPM | 1" MPT X FPT |
| 7602-212 | 12 GPM | 1" MPT X FPT |
| 7602-213 | 13 GPM | 1" MPT X FPT |



Motorized Geo Zone Valves

| | |
|----------|----------|
| 7602-150 | 3/4" FPT |
| 7602-151 | 1" SWT |



Modulating Geo Zone Valves

Recommended for use with 7602-457 Thermostat and DXM2 Control Board

| | |
|----------|--------------------|
| 7602-441 | 3/4" FPT (2-4 Ton) |
| 7602-442 | 1" FPT (5 Ton) |

CLOSED

The following accessories are used exclusively in closed loop geothermal installations



1 1/4" Couplings x 1" Fusion Flange with nut
7602-409



Fusion x MPT Adaptor
1" x 1" MPT - 7602-410
1 1/4" x 1" MPT - 7602-411



1 1/4" PVC Transition Socket x Brass FPT
7602-420



Geo-Gooser
Used to boost pressure in loops
7602-419



PE to PVC with union
1" PE to 1" PVC with union - 7602-412
1 1/4" PE to 1 1/4" PVC with union - 7602-413

(For Neoprene Hose Kits, see page 11)

BOTH

The following accessories can be used for in both open and closed loop geothermal installations



Hot Water Concentric Connector
2040-0114



Gauge Adapter PT Plug with guard
7602-416



Heat Pump Adapter 1" MPT x 1" HB
7602-418



Insert Adapter 1" MPT x 1" HB
7602-417



PT Plug
1/4" MPT - 7602-414
1/2" MPT - 7602-415

GEOTHERMAL/WSHP TOOLS, CONTROLS, AND HOSE KITS

FLOW METER

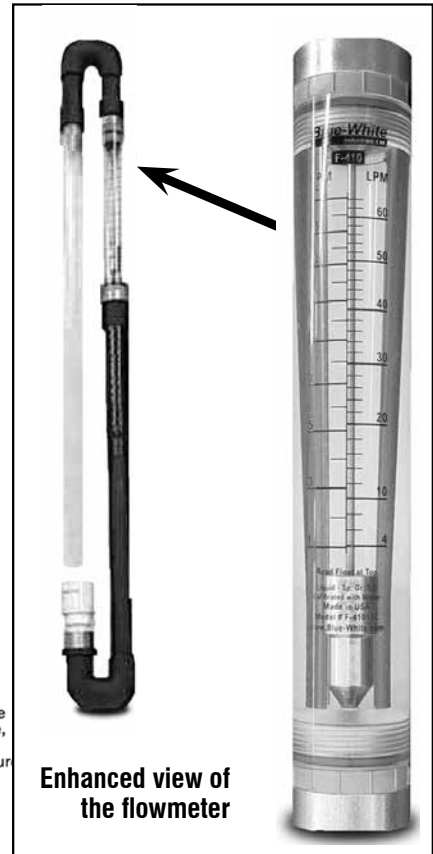
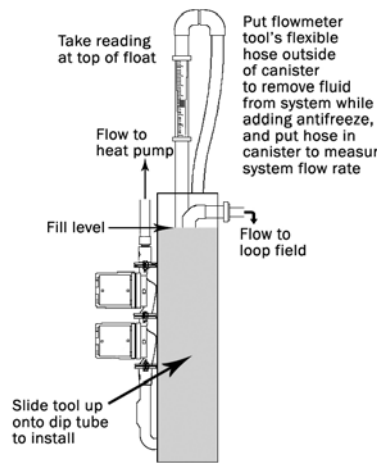
For clear, dependable readings

A flowmeter tool is used specifically with geothermal and water source heat pump system applications that use non-pressurized flow centers. A flow meter is a removable tool that can be carried from job site to job site to check systems for proper flow rates.

Each flowmeter is machined of high quality, acrylic rod stock and carefully polished for a ultra-clear finish to provide the most accurate and repeatable reading. Flowmeters feature easy to read scales screen printed on the meter body.

| CATALOG NO. | ITEM |
|-------------|-----------------|
| 7602-407 | Flow Meter Tool |

Used in models 7602-402, 7602-403, 7602-404, 7602-405 only



Enhanced view of the flowmeter

FUSION KIT

Safe, dependable kit for fusing tubes in geothermal systems

The R63 TE socket fusion tool is designed specifically for use in fusing tubing used in geothermal and water source systems. The fusion kit is practical, easy to handle and safe, thanks to the warning lights (main power ON and working temperature OK), the plastic ergonomic handle and excellent thermal insulation provided by the stainless steel wiring enclosure.

The tool is supplied with an electronic thermal regulator with temperature set at 500°F (260°C) on the socket and possibility to adjust from 82°F (180°C) to 560°F (290°C) on the plate with the adjustable temperature. Two year limited warranty.



| CATALOG NO. | ITEM |
|-------------|-----------------------------|
| 7602-406 | Fusion Kit Socket Set |
| 7602-421 | Socket Fusion 1" add on kit |

Included in the tool kit

3/4" & 1-1/4" set

| | | |
|-------------------------------|---------------------------------------|-------------------------------------|
| R63 TE Socket Fusion Tool | Socket Face Set - 3/4" and 1 1/4" IPS | Fusion Tool Mounting Bracket |
| Depth Gauge - 3/4" and 1 1/4" | Cold Rings - 3/4" and 1 1/4" | Tempstik 500° & 525°F (one of each) |
| Hex Key | Roll Cutter 3/4" - 2" | Second Timer |
| Tool Cover Bag | Kwik Cutter (up to 2" IPS) | Cotton Wipe Rag |

GEOHERMAL/WSHP TOOLS, CONTROLS, AND HOSE KITS

FLUSH CART

Easy to cart from jobsite to jobsite

Heavy duty stainless steel flush cart. 2 HP pump provides the proper amount of head required to fill, flush and purge loops. Factory mounted to a heavy duty cart for great maneuverability and easy transportation to and from the job site. The cart's design also features supports on the back for hoses to be mounted.



| Features | |
|---|---|
| VALVES – Equipped with 1/4" full port valves with 1" (1 1/2 HP) and 1/4" hose (2 HP) | CART – Flush systems are factory mounted to a heavy duty cart with 13" wheels and includes mounts on the back for hoses. Flush carts include a pressure drain, 14-gauge stainless steel tanks (10 gallons), stainless steel piping, a gravity drain, quick connect couplings, lift out filter screen and water tight switch box located on the back of the cart. |
| DRAIN – Antifreeze flush drain | |
| MOTOR – Flush carts are available with 1 1/2 and 2 horse power motors (115V) | |
| PUMP – 60 GPM at 68 FT head on the 1 1/2 HP motor and 90 GPM at 62 FT head on the 2 HP motor | |

| CATALOG NO. | ITEM |
|-------------|----------------------|
| 7602-401 | Flush Cart 2 HP 115V |

Specifications

| Flush Cart | 7602-401 |
|------------------|--|
| Cart Material | Mild Steel |
| Tank Material | 304L Stainless Steel |
| Piping | 304 Stainless, Red Brass |
| Piping Size | 1/4" |
| Valves | Yellow Brass |
| Valve Size | 1/4" |
| Drain Valves | Stainless (Hose Bib) |
| Hoses | 200 PSI Rubber Hose |
| Hose Size | 1/4" |
| Pump | 90 GPM @ 62 FT Heat |
| Electrical Plug | 20 Amp ~ 115V |
| Hose Connections | 1/4" Cam and Groove |
| Total Weight | 163 lbs. w/out hoses, 178 lbs. w/hoses |
| Dimensions | H=57" W=22 1/4" D=25" |
| Tank Volume | 10 Gallons |
| Filter | In Tank; Double Woven Screen |



GEOHERMAL/WSHP TOOLS, CONTROLS, AND HOSE KITS



7602-454B

Wireless Service Tool

The 7602-454B diagnostic tool is a must-have for any installer and technician who works with Comfort-Aire or Century Geothermal/Commercial Water-Source-Heat-Pumps on a regular basis. Effortlessly monitor, manage and configure any Comfort-Aire Water Source Heat Pump with an DXM, DXM2.5, or CXM2 control from up to 20 feet away using any Wi-Fi enabled device. The Wireless Service Tool provides technicians the ability to field configure products, access performance data, and set up systems with ease from the convenience of their Wi-Fi-enabled device.

| CATALOG NO. | ITEM |
|-------------|-----------------|
| 7602-454B | Diagnostic Tool |



7602-457

Thermostat (for use with DXM2 Control Board systems only)

The 7602-457 communicating programmable thermostat is the perfect compliment to your new Comfort-Aire or Century Geothermal / Commercial Water-Source-Heat-Pump. For homeowners, the thermostat provides customizable climate control features designed to maximize comfort and reduce energy consumption. For installers and technicians, the 7602-457 is an easy-to-install 4-wire connection system control that offers real-time performance measurements, diagnostics, fault information, and DXM2 board programming/setup. For use with all systems utilizing DXM2 Control Boards.

| CATALOG NO. | ITEM |
|-------------|------------|
| 7602-457 | Thermostat |



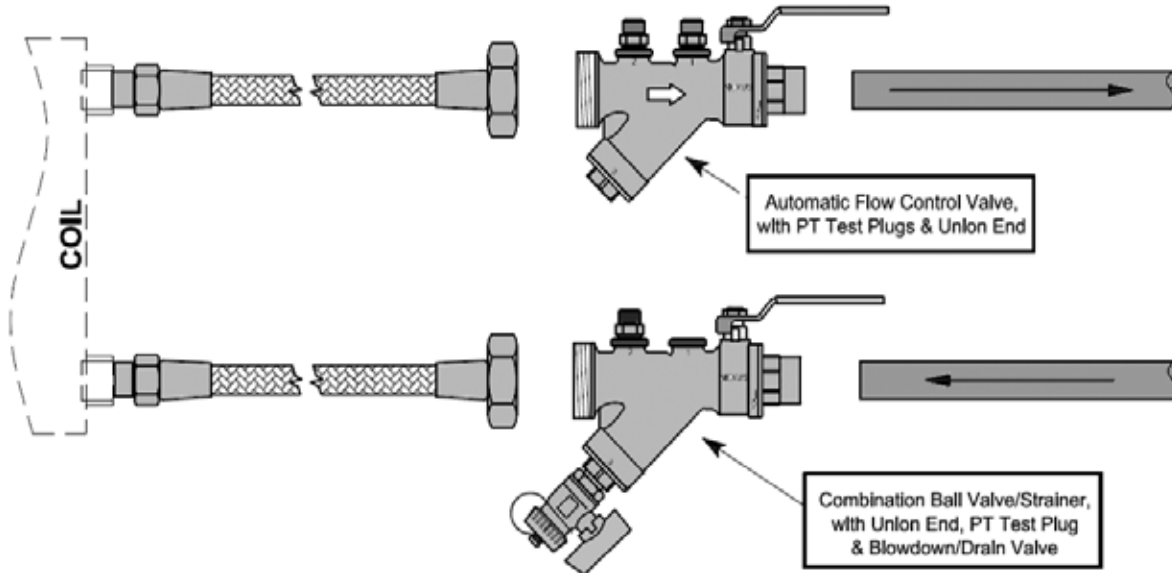
GEOHERMAL/WSHP TOOLS, CONTROLS, AND HOSE KITS

Hose Kit Diagram

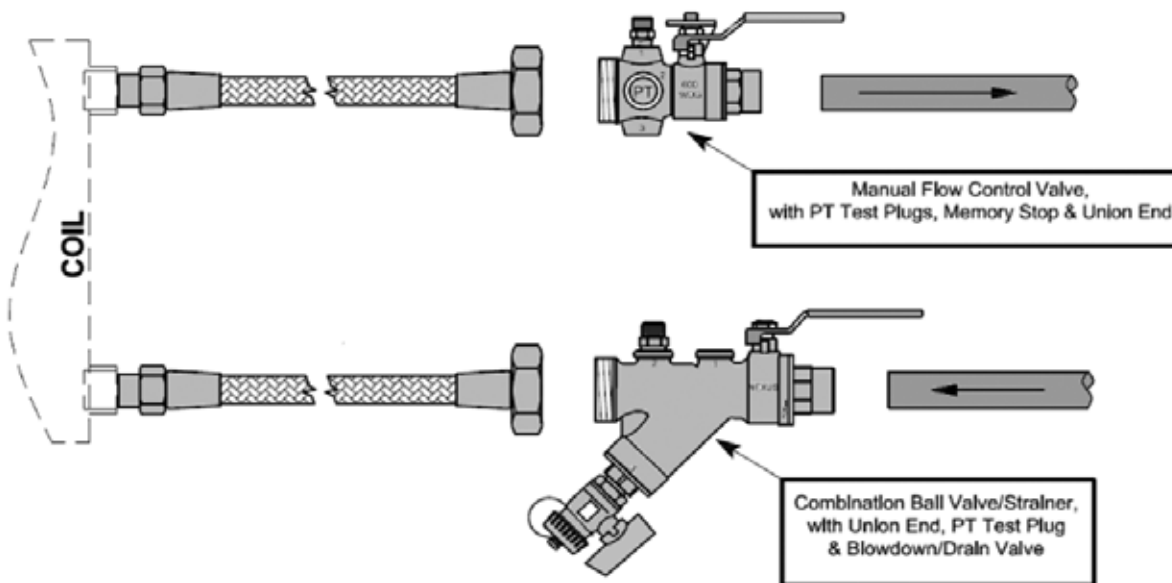
AUTOMATIC FLOW CONTROL AND SS HOSES KITS

| | | | |
|------|-------------|-------------|-------------|
| 1/2" | 760X-135015 | 760X-135020 | 760X-135050 |
| 3/4" | 760X-131060 | 760X-131080 | 760X-131100 |
| 1" | 760X-132120 | 760X-132150 | |

| | | | | | |
|--------|-------------|-------------|-------------|-------------|-------------|
| 1-1/4" | 760X-133180 | 760X-133200 | 760X-133300 | | |
| 1-1/2" | 760X-134200 | 760X-134300 | 760X-134400 | 760X-134500 | 760X-134600 |



MANUAL BALANCE VALVE AND SS HOSES KITS



| | |
|--------|----------|
| 1/2" | 760X-130 |
| 1" | 760X-132 |
| 1-1/2" | 760X-134 |
| 3/4" | 760X-131 |
| 1-1/4" | 760X-133 |

GEOHERMAL/WSHP TOOLS, CONTROLS, AND HOSE KITS

For latest AHRI ratings, please visit www.marsdeliveratings.com or AHRIdirectory.org

COMMERCIAL WATER SOURCE HEAT PUMP ACCESSORIES

2' HOSES AND HOSE KITS – Hoses with Automatic Flow Controls and Shut-Off Valves

| Hose Kits | Connection Size (in) | Connection Type | | Hose Length/Overall Length (ft.) | Hose Material | Shut-Off Valve w/ Auto Flow Control | GPM | Shut Off Valve & Strainer | P/T Port | Drain Valve |
|-------------|----------------------|-----------------|-------|----------------------------------|---------------|-------------------------------------|-----|---------------------------|---------------|-------------|
| | | Unit | Field | | | | | | | |
| 7602-135015 | 1/2 | MPT | FPT | 2/3 | SS | Return | 1.5 | Supply | Supply/Return | Supply |
| 7602-135020 | 1/2 | MPT | FPT | 2/3 | SS | Return | 2.0 | Supply | Supply/Return | Supply |
| 7602-135030 | 1/2 | MPT | FPT | 2/3 | SS | Return | 3.0 | Supply | Supply/Return | Supply |
| 7602-135050 | 1/2 | MPT | FPT | 2/3 | SS | Return | 5.0 | Supply | Supply/Return | Supply |
| 7602-131060 | 3/4 | MPT | FPT | 2/3 | SS | Return | 6.0 | Supply | Supply/Return | Supply |
| 7602-131080 | 3/4 | MPT | FPT | 2/3 | SS | Return | 8.0 | Supply | Supply/Return | Supply |
| 7602-131090 | 3/4 | MPT | FPT | 2/3 | SS | Return | 9.0 | Supply | Supply/Return | Supply |
| 7602-131100 | 3/4 | MPT | FPT | 2/3 | SS | Return | 10 | Supply | Supply/Return | Supply |
| 7602-132120 | 1 | MPT | FPT | 2/3 | SS | Return | 12 | Supply | Supply/Return | Supply |
| 7602-132150 | 1 | MPT | FPT | 2/3 | SS | Return | 15 | Supply | Supply/Return | Supply |
| 7602-132180 | 1 | MPT | FPT | 2/3 | SS | Return | 18 | Supply | Supply/Return | Supply |
| 7602-133180 | 1 1/4 | MPT | FPT | 2/3 | SS | Return | 18 | Supply | Supply/Return | Supply |
| 7602-133200 | 1 1/4 | MPT | FPT | 2/3 | SS | Return | 20 | Supply | Supply/Return | Supply |
| 7602-133300 | 1 1/4 | MPT | FPT | 2/3 | SS | Return | 30 | Supply | Supply/Return | Supply |
| 7602-134200 | 1 1/2 | MPT | FPT | 2/3 | SS | Return | 20 | Supply | Supply/Return | Supply |
| 7602-134300 | 1 1/2 | MPT | FPT | 2/3 | SS | Return | 30 | Supply | Supply/Return | Supply |
| 7602-134400 | 1 1/2 | MPT | FPT | 2/3 | SS | Return | 40 | Supply | Supply/Return | Supply |
| 7602-134500 | 1 1/2 | MPT | FPT | 2/3 | SS | Return | 50 | Supply | Supply/Return | Supply |
| 7602-134600 | 1 1/2 | MPT | FPT | 2/3 | SS | Return | 60 | Supply | Supply/Return | Supply |

HOSES ONLY (2 Required)

| Hose Part Number | Connection Size (in) | Connection Type | | Hose Length (ft) | Hose Material | P/T Port |
|------------------|----------------------|-----------------|-------|------------------|---------------|----------|
| | | Unit | Field | | | |
| 7602-101 | 3/4 | MPT | MPT | 3 | SS | No |
| 7602-100 | 1 | MPT | MPT | 3 | SS | No |

NEOPRENE HOSE KITS

| Hose Kit | Connection Size (in) | Connection Type | | Hose Length (ft) | Hose Material | P/T Port |
|----------|----------------------|-----------------|-------|--------------------|---------------|---------------|
| | | Unit | Field | | | |
| 7602-102 | 3/4 | MPT | MPT | 12 (cut to length) | Neoprene | Supply/Return |
| 7602-103 | 1 | MPT | MPT | 12 (cut to length) | Neoprene | Supply/Return |

NOTE: Kits contain 1/2" Neoprene hose, 2-90" mpt x barbed connectors w/P/T Ports, 2-mpt x barbed connectors, 4 screw hose clamps.

HOSES WITH BALANCE AND SHUT OFF VALVES

| Hose w/Shut Off Valve | Connection Size (in) | Connection Type | | Hose Length/Overall Length (ft.) | Hose Material | Balance Shut Off Valve w/memory | Shut Off Valve & Strainer | P/T Port | Drain Valve |
|-----------------------|----------------------|-----------------|-------|----------------------------------|---------------|---------------------------------|---------------------------|---------------|-------------|
| | | Unit | Field | | | | | | |
| 7602-130 | 1/2 | MPT | FPT | 2/3 | SS | Return | Supply | Supply/Return | Supply |
| 7602-131 | 3/4 | MPT | FPT | 2/3 | SS | Return | Supply | Supply/Return | Supply |
| 7602-132 | 1 | MPT | FPT | 2/3 | SS | Return | Supply | Supply/Return | Supply |
| 7602-133 | 1 1/4 | MPT | FPT | 2/3 | SS | Return | Supply | Supply/Return | Supply |
| 7602-134 | 1 1/2 | MPT | FPT | 2/3 | SS | Return | Supply | Supply/Return | Supply |

GEOHERMAL/WSHP TOOLS, CONTROLS, AND HOSE KITS

For latest AHRI ratings, please visit www.marsdeliveredatings.com or AHRIdirectory.org

COMMERCIAL WATER SOURCE HEAT PUMP ACCESSORIES

3' Hoses with Automatic Flow Controls and Shut-Off Valves

| Hose Kits | Connection Size (in) | Connection Type | | Hose Length/Overall Length (ft.) | Hose Material | Shut-Off Valve w/ Auto Flow Control | GPM | Shut Off Valve & Strainer | P/T Port | Drain Valve |
|-------------|----------------------|-----------------|-------|----------------------------------|---------------|-------------------------------------|-----|---------------------------|---------------|-------------|
| | | Unit | Field | | | | | | | |
| 7603-135015 | 1/2 | MPT | FPT | 3/4 | SS | Return | 1.5 | Supply | Supply/Return | Supply |
| 7603-135020 | 1/2 | MPT | FPT | 3/4 | SS | Return | 2.0 | Supply | Supply/Return | Supply |
| 7603-135030 | 1/2 | MPT | FPT | 3/4 | SS | Return | 3.0 | Supply | Supply/Return | Supply |
| 7603-135050 | 1/2 | MPT | FPT | 3/4 | SS | Return | 5.0 | Supply | Supply/Return | Supply |
| 7603-131060 | 3/4 | MPT | FPT | 3/4 | SS | Return | 6.0 | Supply | Supply/Return | Supply |
| 7603-131080 | 3/4 | MPT | FPT | 3/4 | SS | Return | 8.0 | Supply | Supply/Return | Supply |
| 7603-131090 | 3/4 | MPT | FPT | 3/4 | SS | Return | 9.0 | Supply | Supply/Return | Supply |
| 7603-131100 | 3/4 | MPT | FPT | 3/4 | SS | Return | 10 | Supply | Supply/Return | Supply |
| 7603-132120 | 1 | MPT | FPT | 3/4 | SS | Return | 12 | Supply | Supply/Return | Supply |
| 7603-132150 | 1 | MPT | FPT | 3/4 | SS | Return | 15 | Supply | Supply/Return | Supply |
| 7603-132180 | 1 | MPT | FPT | 3/4 | SS | Return | 18 | Supply | Supply/Return | Supply |
| 7603-133180 | 1 1/4 | MPT | FPT | 3/4 | SS | Return | 18 | Supply | Supply/Return | Supply |
| 7603-133200 | 1 1/4 | MPT | FPT | 3/4 | SS | Return | 20 | Supply | Supply/Return | Supply |
| 7603-133300 | 1 1/4 | MPT | FPT | 3/4 | SS | Return | 30 | Supply | Supply/Return | Supply |
| 7603-134200 | 1 1/2 | MPT | FPT | 3/4 | SS | Return | 20 | Supply | Supply/Return | Supply |
| 7603-134300 | 1 1/2 | MPT | FPT | 3/4 | SS | Return | 30 | Supply | Supply/Return | Supply |
| 7603-134400 | 1 1/2 | MPT | FPT | 3/4 | SS | Return | 40 | Supply | Supply/Return | Supply |
| 7603-134500 | 1 1/2 | MPT | FPT | 3/4 | SS | Return | 50 | Supply | Supply/Return | Supply |
| 7603-134600 | 1 1/2 | MPT | FPT | 3/4 | SS | Return | 60 | Supply | Supply/Return | Supply |

HOSES WITH BALANCE AND SHUT OFF VALVES

| Hose w/Shut Off Valve | Connection Size (in) | Connection Type | | Hose Length/Overall Length (ft.) | Hose Material | Balance Shut Off Valve w/memory | Shut Off Valve & Strainer | P/T Port | Drain Valve |
|-----------------------|----------------------|-----------------|-------|----------------------------------|---------------|---------------------------------|---------------------------|---------------|-------------|
| | | Unit | Field | | | | | | |
| 7603-130 | 1/2 | MPT | FPT | 3/4 | SS | Return | Supply | Supply/Return | Supply |
| 7603-131 | 3/4 | MPT | FPT | 3/4 | SS | Return | Supply | Supply/Return | Supply |
| 7603-132 | 1 | MPT | FPT | 3/4 | SS | Return | Supply | Supply/Return | Supply |
| 7603-133 | 1 1/4 | MPT | FPT | 3/4 | SS | Return | Supply | Supply/Return | Supply |
| 7603-134 | 1 1/2 | MPT | FPT | 3/4 | SS | Return | Supply | Supply/Return | Supply |

GEOHERMAL/WSHP TOOLS, CONTROLS, AND HOSE KITS

For latest AHRI ratings, please visit www.marsdirectratings.com or AHRIdirectory.org

| COMMERCIAL WATER SOURCE HEAT PUMP ACCESSORY APPLICATION GUIDE | | | | | | | | | | |
|--|-------|--------------------------|-----|---------------------------|-----|---------------------------------------|-----|--|--|--|
| Commercial Applications | | | | | | | | | | |
| UNIT MODEL NUMBERS | | Commercial Applications | | | | | | | | |
| UNIT WATER CONNECTION SIZE | | Commercial Applications | | | | | | | | |
| Stainless Steel Hose Kits: Two (2)' or 3' Braided Hoses with Automatic Flow Control, Shut-Off Valves and PT Plugs * | | | | | | | | | | |
| Hose Kits | 7602 | Hose Connection Size FPT | | Automatic Flow Rate (GPM) | | Values in table are GPM/Ton (cooling) | | | | |
| Prefix = 2' | 7603- | Prefix = 3' | | | | | | | | |
| 135015 | | 1/2 | 3.0 | 2.0 | | | | | | |
| 135020 | | 1/2 | 4.0 | 2.7 | 2.0 | | | | | |
| 135030 | | 1/2 | 3.0 | 4.0 | 3.0 | 2.4 | 2.0 | | | |
| 135050 | | 1/2 | 5.0 | 5.0 | 4.0 | 3.3 | | | | |
| 131060 | | 3/4 | 6.0 | | | | | | | |
| 131080 | | 3/4 | 8.0 | | | | | | | |
| 131090 | | 3/4 | 9.0 | | | | | | | |
| 131100 | | 3/4 | 10 | | | | | | | |
| 132120 | | 1 | 12 | | | | | | | |
| 132150 | | 1 | 15 | | | | | | | |
| 132180 | | 1 | 18 | | | | | | | |
| 133180 | | 1-1/4 | 18 | | | | | | | |
| 133200 | | 1-1/4 | 20 | | | | | | | |
| 133300 | | 1-1/4 | 30 | | | | | | | |
| 134200 | | 1-1/2 | 20 | | | | | | | |
| 134300 | | 1-1/2 | 30 | | | | | | | |
| 134400 | | 1-1/2 | 40 | | | | | | | |
| 134500 | | 1-1/2 | 50 | | | | | | | |
| 134600 | | 1-1/2 | 60 | | | | | | | |
| Stainless Steel Hose Kits: Two (2)' or 3' Braided Hoses with Manual Balance, Shut-Off Valves w/ Memory Stop and PT Plugs | | | | | | | | | | |
| 130 | | 1/2 | X | X | X | X | | | | |
| 131 | | 3/4 | | | | | | | | |
| 132 | | 1 | 4.0 | | | | | | | |
| 133 | | 1-1/4 | | | | | | | | |
| 134 | | 1-1/2 | | | | | | | | |
| Stainless Steel Hoses ONLY - 36" Length (2 Required per Heat Pump) | | | | | | | | | | |
| 7602-101 | | 3/4 | | | | | | | | |
| 7602-100 | | 1 | | | | | | | | |

* These hose kits contain stainless steel hoses for the inlet and outlet of the unit. The inlet hose has a shut off valve, strainer and P/T plug. The outlet hose has a shut off valve, P/T plug and an automatic flow controller that will provide the water flow shown in the Automatic Flow Rate column.

Nomenclature Examples:

| | |
|-------------|---|
| 7602-135015 | Plugs |
| 7603-132120 | P/T Plugs |
| 7602-130 | 1/2" Hose Connection Manual Balance Hose Kit w/ 2' SS Braided Hoses, Manual Balance Valve, Shut Off Valves, & P/T Plugs |
| 7602-100 | 1" Hose Connection 3" Stainless Steel Hoses ONLY |